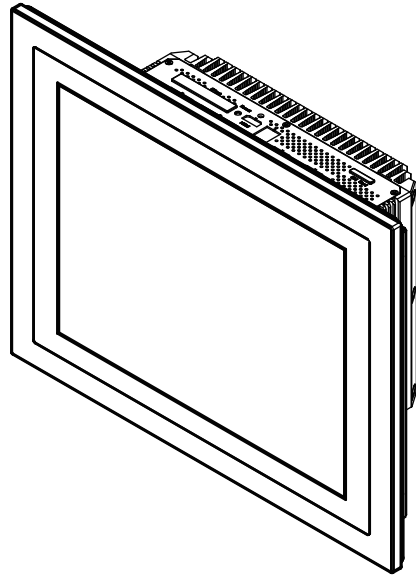


SP-7165/ SP-7167

Quick Reference Guide



Ver. Q1

All Rights Reserved. Copyright 2018

Specification

System

CPU Support	6th/7th Gen. Intel® Core™ i7/i5/i3 & Pentium/Celeron® LGA1151 socket processor (CPU TDP max. up to 35W)
Chipset	Intel® Q170/ H110
Memory Support	2 x DDR4 2133MHz SO-DIMM up to 32GB
Drive Bay	2 x 2.5" SATAIII HDD/SSD (support RAID 0/1 in Q170 SKU only)
Audio	1 x Line-in / 1 x Line-out / 1 x Mic-in
Expansion Slots	1 x Full-sized mini-PCIe (mini PCIe, USB and SIM signals) 1 x Half-sized mini-PCIe (mini PCIe and USB signals) 1 x SIM card slot / 1 x CFAST slot
Net Weight & Dimension (WxHxD)	SP-7165: 8.9 kg, 408mm x 320mm x 121.6mm SP-7167: 10.9 kg, 434mm x 366mm x 126.6mm
Power Input	DC in 9~36V
Certificate	FCC/CE

I/O Ports (Top side)

SIM card / CFAST slot	1 x SIM card slot / 1 x CFAST slot
Reset / Antenna	1 x reset pin / 3 x antenna hole

I/O Ports (Bottom side)

Display	1 x DVI-I (DVI-D+VGA)
USB	4 x USB 3.0
Serial Port	COM3/4 for RS232, COM1/2 for RS232/422/485 (selectable by BIOS) [COM1/2 for +5V/+12V/RI selectable by jumper]
LAN	2 x GbE LAN, Wake-On-LAN, PXE LAN 1: Intel® PHY I219 LM (10/100/1000 Mbps) LAN 2: Intel® LAN I210 AT (10/100/1000 Mbps)
Digital I/O Port	8 in / 8 out, DSUB-25 type or 16-pin terminal block (optional)
I ² C Bus	1 x I ² C bus port
Audio	1 x Line-in / 1 x Line-out / 1 x Mic-in
Power Input	DC in 9~36V (DIN type 4-pin connector or 3-pin terminal block)
Power On/Off	1 x power button, 1 x remote switch

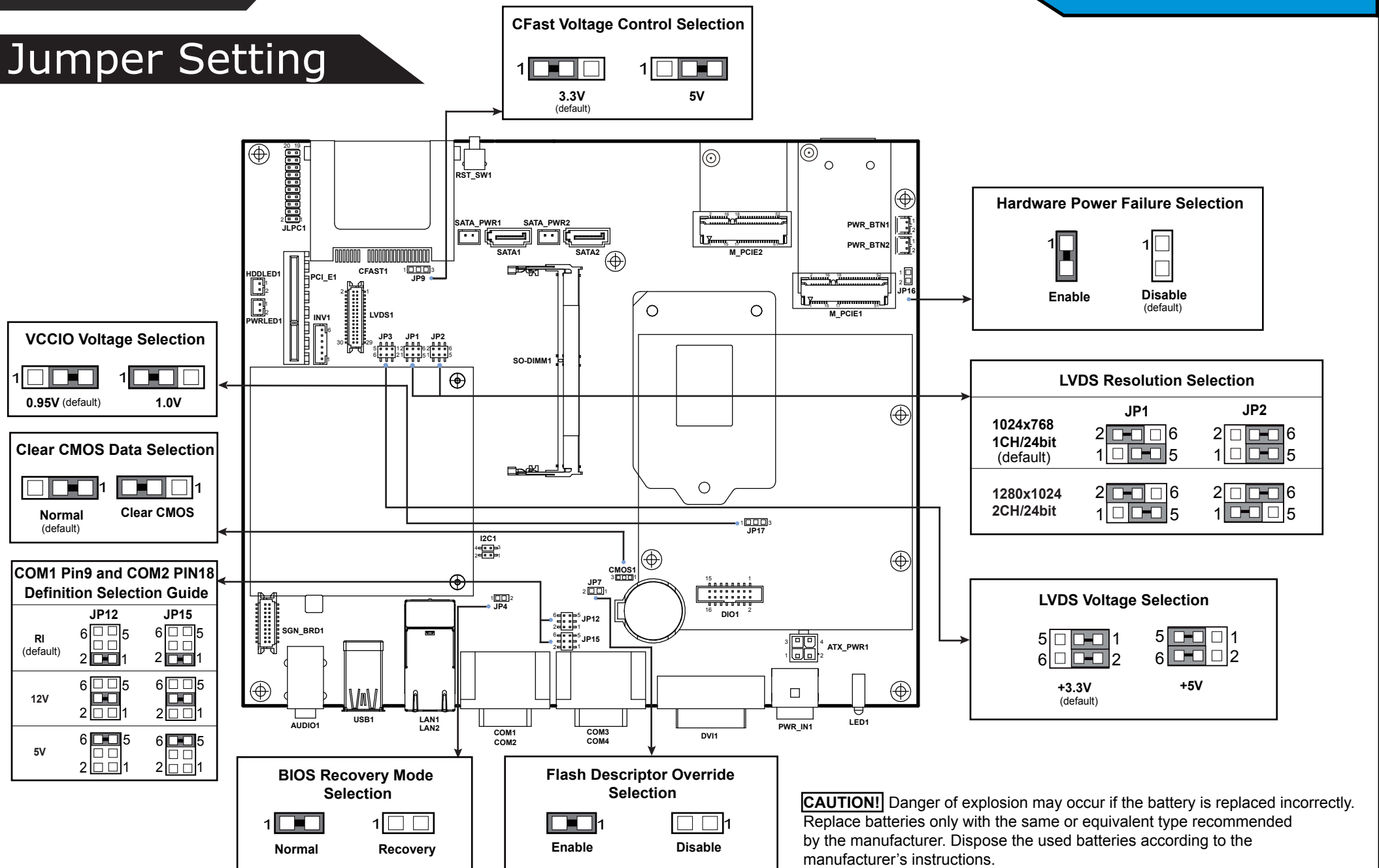
Display

LCD Panel Size	SP-7165: 15" TFT LCD(LED) XGA (resolution: 1024 x 768) SP-7167: 17" TFT LCD(LED) SXGA (resolution: 1280 x 1024)
Touch Screen	5-wire resistive touch screen or projected (USB interface)

Environment

Operating Temp. (with airflow)	SSD: 0°C ~ 45°C (32°F ~ 113°F) (with PoE 0°C ~ 40°C (32°F -104°F))
Storage Temp.	-20°C ~ 80°C (-4°F ~ 176°F)
Humidity	20% ~ 90%

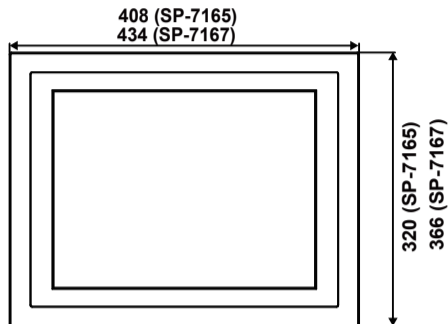
Jumper Setting



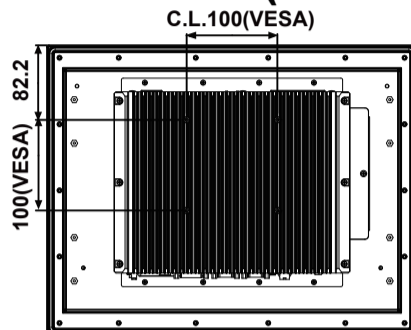
SP-7165/7167

System Overview

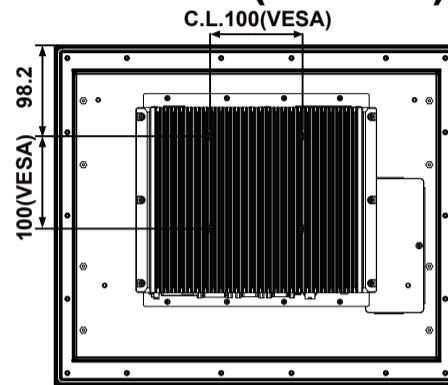
Front View



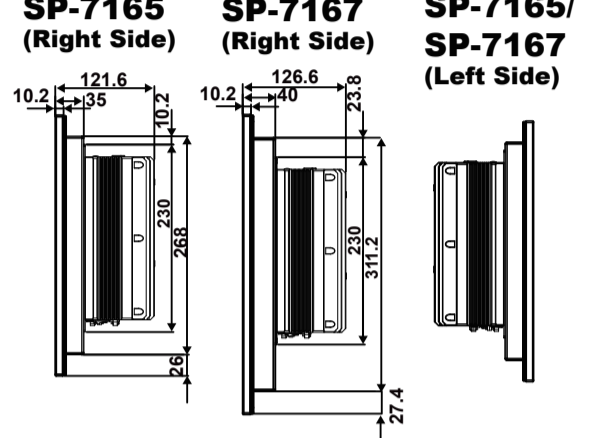
Rear View (SP-7165)



Rear View (SP-7167)

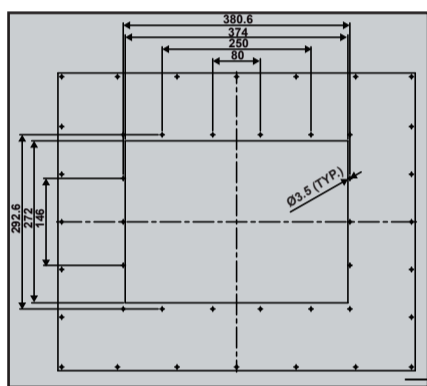


Side View

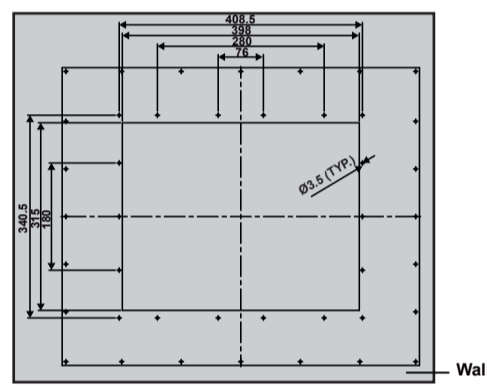


Wall Mount Cut-out Dimensions

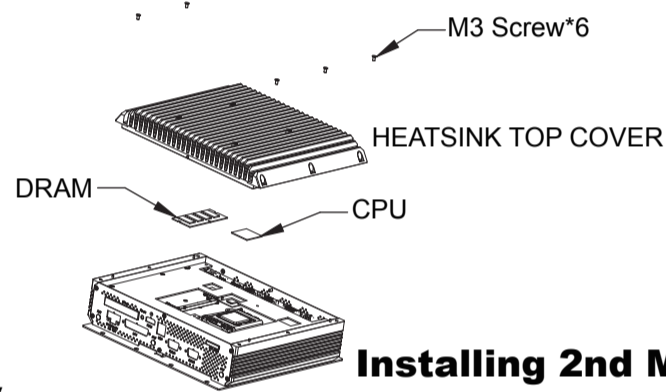
SP-7165



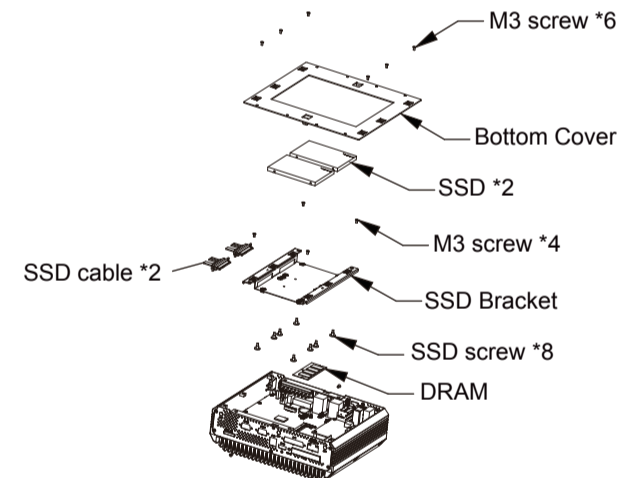
SP-7167



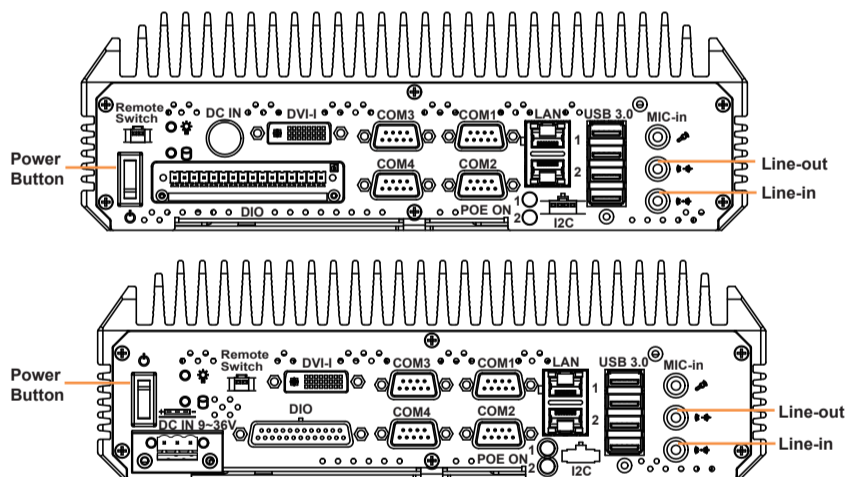
Installing 1st Memory and CPU



Installing 2nd Memory and SSD

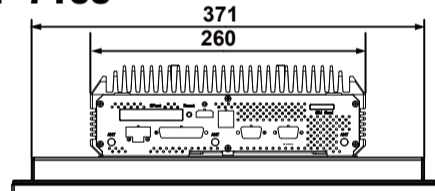


Bottom I/O View

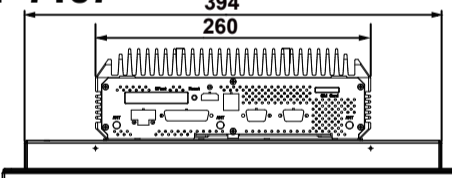


Top View

SP-7165



SP-7167



Safety Precaution

The following messages are safety reminders on protecting your system from damages and extend a long life of the system.

1. Check the Cable Voltage

- The range of operating voltage should be between DC 9V and 36V. Otherwise, the system could be damaged.

2. Environmental Conditions

- Place your SP-7165/SP-7167 on a sturdy & level surface. Be sure to allow enough space to have easy access around the system.
- Avoid extremely hot or cold place to install the system.
- Avoid exposure to sunlight for a long period of time or in a airtight space. Also, avoid the system from any heating device or using SP-7165/SP-7167 when it's been left outdoors in a cold winter day.
- Note that the operating ambient temperature is 0~45°C for SSD.
- Avoid moving the system rapidly from a hot place to a cold one and vice versa because condensation may come from inside of the system.
- Place SP-7165/SP-7167 in strong vibrations may cause hard disk failure.
- Do not place the system close to any radio active device in case of signal interference.

3. Handling

- Avoid putting heavy objects on top of the system.
- Do not turn the system upside down. This may cause the hard drive to mal-function.
- If water or other liquid spills into this product, unplug the power cord immediately.

4. Good Care

- When the outside of the case is stained, remove the stain with neutral washing agent with a dry cloth.
- Never use strong agents such as benzene or thinner to clean the system.
- If heavy stains are present, moisten a cloth with diluted neutral washing agent or alcohol, and then wipe thoroughly with a dry cloth.
- If dust has been accumulated on the outside, clean it with a special vacuum cleaner made for computers.

CAUTION! Danger of explosion if battery is incorrectly replaced. Replace only with the same or equivalent type recommended by the manufacturer. Dispose of used batteries per the manufacturer's instructions.

WARNING! Some internal parts of the system may have high electrical voltage. Therefore we strongly recommend qualified engineers open and disassemble the system. The LCD and touch screen are easily breakable, please handle them with extra care.