

SP-6155

› Intel® Atom™ / Pentium® / Celeron® Processor
Fanless and Low Power 15" Panel PC



Features



- Intel® Atom™ E3950 / Pentium® N4200 / Celeron® N3350 / Celeron® J3455
- Fanless and quiet design
- HDD easy maintenance
- Three independent displays (HDMI / DVI-D / LVDS)
- Multiple I/O ports (2 x LAN with PoE / 3 x USB 3.0 / 2 x COM / I²C)
- Expansion slot (2 x full-sized Mini PCIe / SD slot / 2 x SIM slot)
- Wide-ranged voltage DC In (9~36V)
- Wide-ranged temperature (w/ E3950)
- Front panel IP65 design
- Aluminum front bezel
- Supports high brightness LCD sunlight readable (optional)
- TPM module (optional)

Specifications



System

CPU Type	Intel® Celeron® N3350 2C, 2.4GHz Intel® Celeron® J3455 4C, 2.3GHz Intel® Pentium® N4200 4C, 2.5GHz Intel® Atom™ x7 E3950 4C, 1.8GHz
Chipset	Intel® SoC
Memory Support	1 x DDR3L 1600/1867MHz SO-DIMM socket (up to 8GB)
Watchdog	1~255 seconds watchdog timer selectable
Storage	1 x 2.5" SATA HDD or SSD
Front Bezel	Aluminum
IP65	Yes (for front panel only)
Power Input	DC In 9~36V
Operating System	Windows 10 IoT Enterprise LTSC 2016 64bit / Ubuntu 16.04 LTS
Dimensions	408 x 308 x 93 mm (W x H x D)
System Weight	6.3 kg
Mounting Support	Wall mount / VESA 100 / Panel mount
Certifications	FCC / CE

Display

LCD	15" TFT LCD (LED) resolution XGA 1024 x 768
Touchscreen	5-wire resistive touchscreen

Applications

- Automation
- Retail
- Food Service
- Banking
- Information

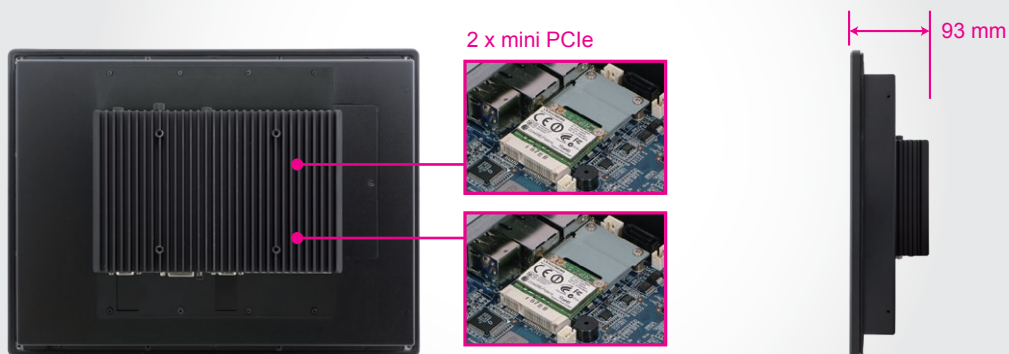
I/O Ports

Display	1 x HDMI up to 4K, 1 x DVI-D
USB	3 x USB 3.0
Audio	1 x Line Out / 1 x Mic In
LAN	2 x LAN (PoE IEEE 802.3af optional), Wake-On-LAN, PXE LAN 1: Intel® I210IT LAN 2: Intel® I210IT
Serial Ports	COM 1/2 for RS232/422/485 (selectable under BIOS) RI/5V/12V selectable by jumper
Storage	1 x 2.5" SATA III HDD or SSD drive space
Expansion Slots	1 x full-sized Mini PCIe (with mSATA or 3G/4G card with USB 2.0 signal) 1 x full-sized Mini PCIe (with PCIe or 3G/4G card with USB 2.0 signal) 1 x SD slot 2 x SIM slot
Antenna Hole	4 x antenna holes
Power On/Off	1 x power button 1 x remote switch
LED	2 x PoE LED
I ² C	1 x I ² C port

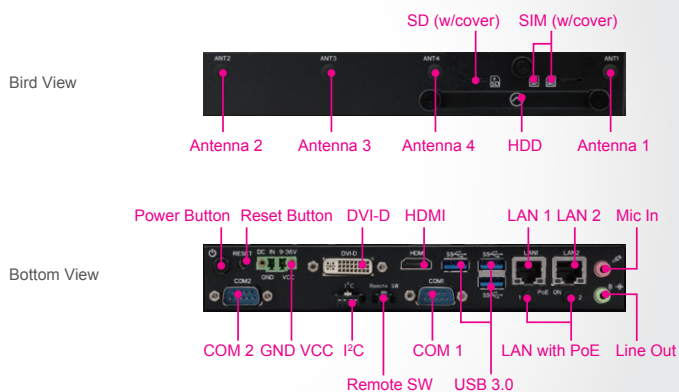
Environment

Operating Temp.	HDD: 0°C~40°C (32°F~104°F) (Ambient with airflow) SSD: 0°C~50°C (32°F~122°F) Wide-ranged temperature: 0°C~50°C (32°F~122°F) (w/ N3350) Wide-ranged temperature: -20°C~50°C (-4°F~122°F) (w/ E3950)
Storage Temp.	-20°C~80°C (-4°F~176°F)
Humidity	20%~90%

Highlights



I/O Panel View



Dimensions

