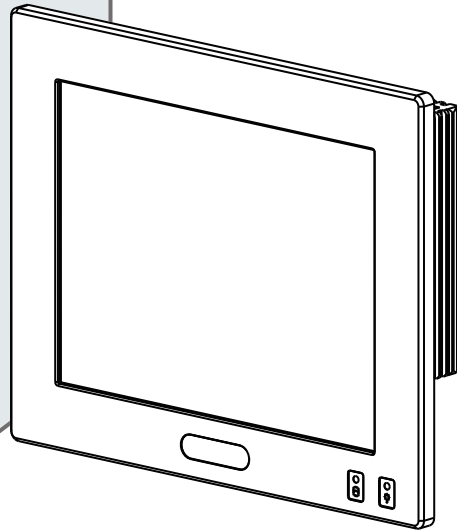


# SP-6140/ SP-6145

## Quick Reference Guide



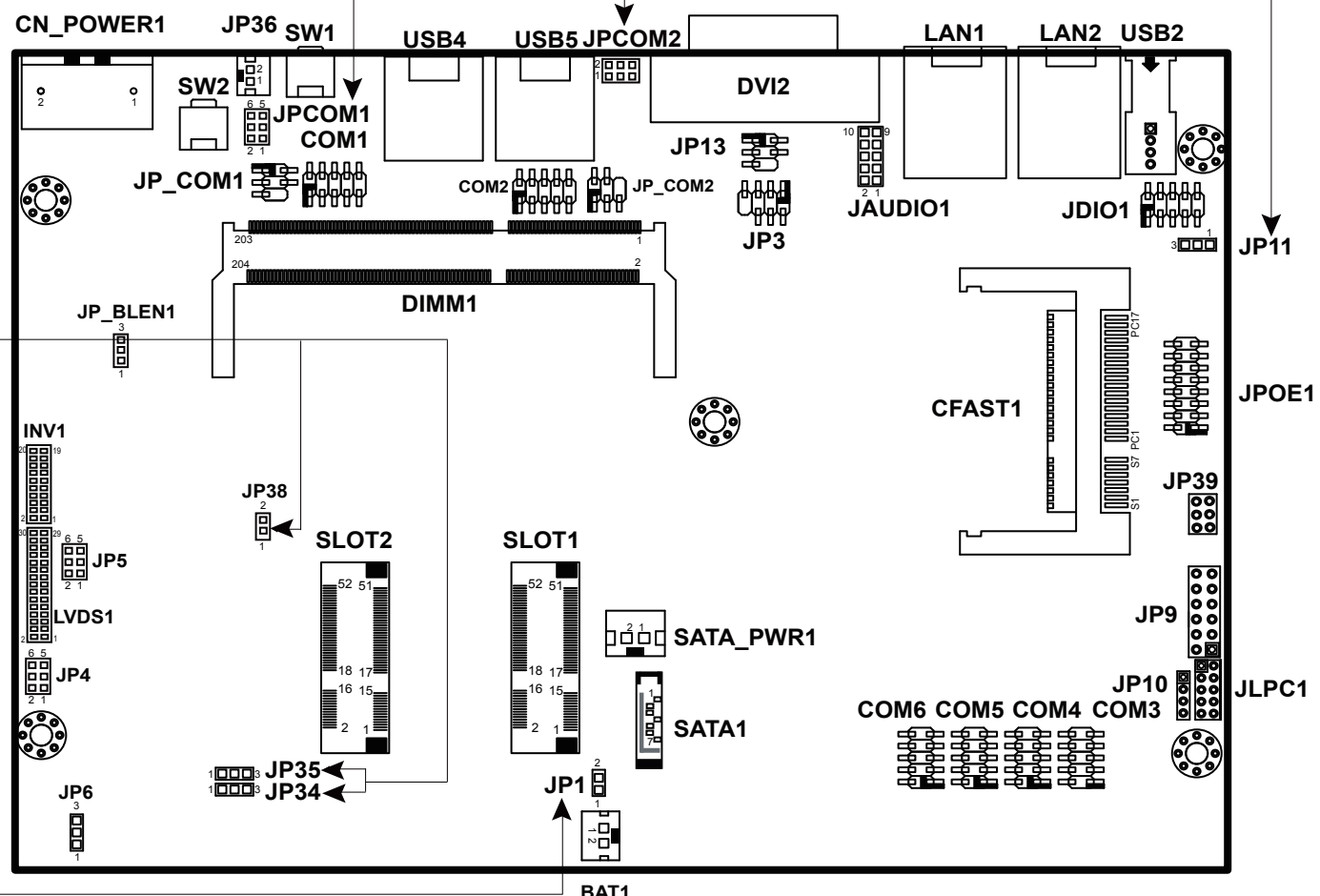
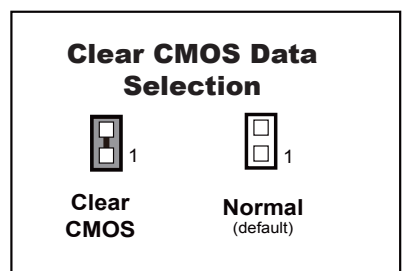
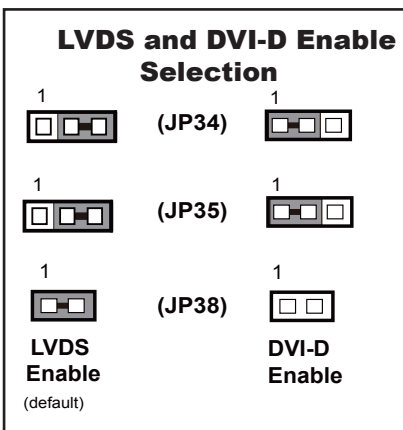
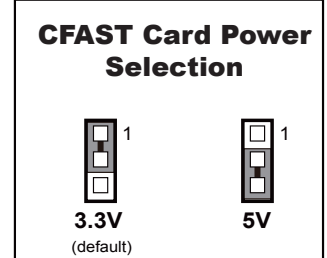
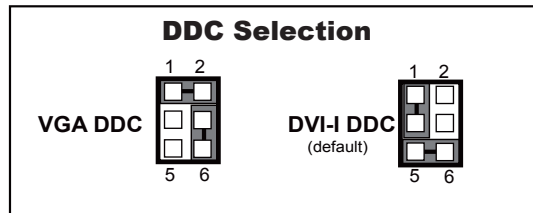
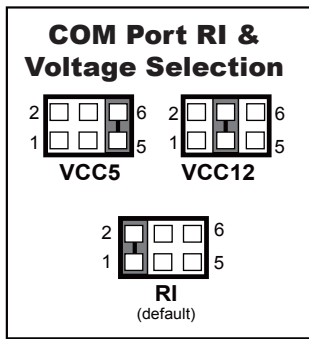
Ver. Q1

All Rights Reserved. Copyright 2016

### Specification

System	
CPU Support	Intel® E3845/E3826/J1900 processor on board
OS Support	Windows 7 / Windows 8.1 / WES7 / WES 8.1 Industry Pro
Memory Support	1 x DDR3L SO-DIMM Socket (up to 8GB)
Drive Bay	1 x 2.5" SATA HDD
Power Requirement	DC-in 9V~36V
Front Bezel	Aluminum
IP65	Front panel only
Wall Mount Type	VESA 75 / VESA 100
Net Weight &	SP-6140: 3.5 kg ; 277.6 x 228.8 x 82 mm
Dimension (WxHxD)	SP-6145: 5.4 kg ; 408 x 308 x 87.7 mm
Certificate	FCC/CE
I/O Ports	
Serial Port	4 x COM ports (COM1/2 is 5V/12V/RI selectable) COM1/2 is RS-232/422/485 selectable. COM3/4: RS-232.
USB	2 x USB 2.0 + 1 x USB 3.0
Display	1 x DVI-I
LAN	2 x LAN (10/100/1000 Mbps) with optional PoE Optional 2 PoE ports support IEEE 802.3af (max. 15.4W)
Audio	1 x Line out, 1 x MIC-in
Expansion Slot	1 x CFAST card slot 1 x full-sized mini PCIe slot (PCIe+USB+external SIM slot) 1 x half-sized mini PCIe slot (PCIe+USB)
SD Card Slot	1 x external SD card slot (with cover)
SIM Card Slot	1 x external SIM card slot (with cover)
Display	
LCD Panel Size &	10.4" (SP-6140) / 15" (SP-6145) XGA (Resolution: 1024 x 768)
Touchscreen	(ELO) 5W Analog resistive (USB interface)
Environment	
Operating Temp.	HDD: 0°C~ 40°C (32°F ~ 104°F) Wide temp. storage and peripherals: -20°C~ 55°C (-4°F ~ 131°F) (without Audio & PoE, E3845/E3826 only) Wide temp. storage and peripherals: -20°C~ 50°C (-4°F ~ 122°F) (with PoE, without Audio, E3845/E3826 only)
Storage Temp.	-30°C~ 60°C (-22°F~ 140°F)
Humidity	20%~ 90%

### Jumper Setting



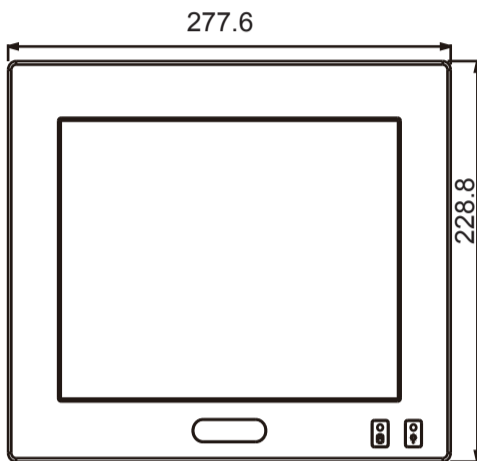
Please set JP13 to VGA DDC if VGA & DVI-D are connected for dual display.

# SP-6140/6145

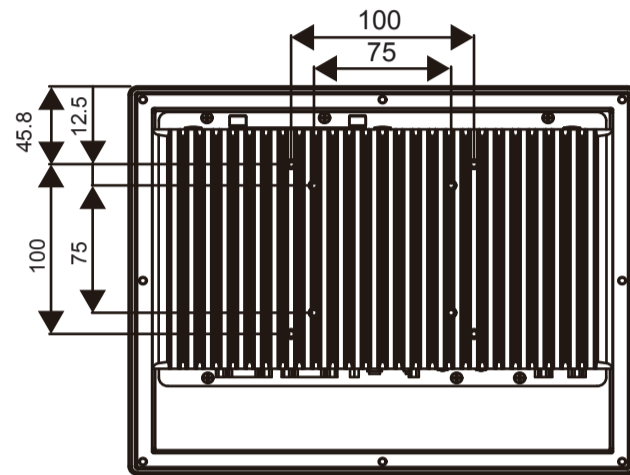
## 10.4" and 15" Fanless Panel PC

### System View

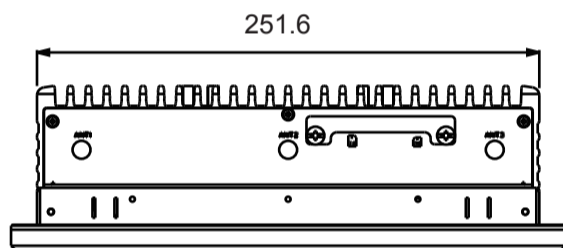
**Front View (SP-6140)**



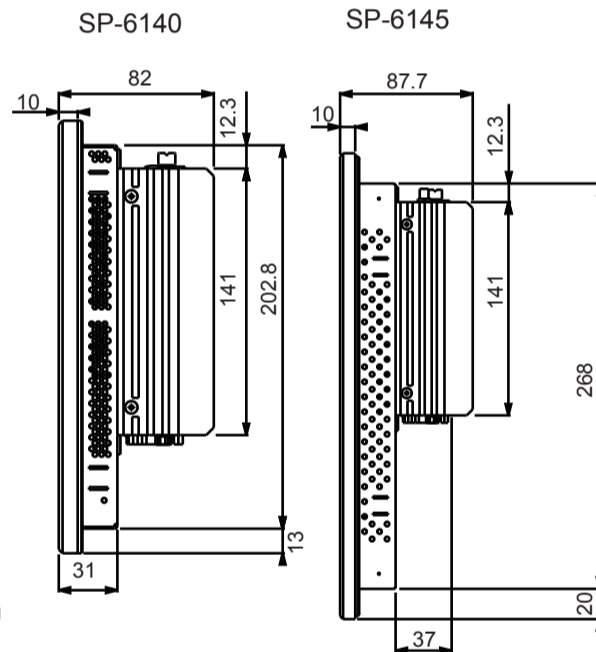
**Rear View (SP-6140)**



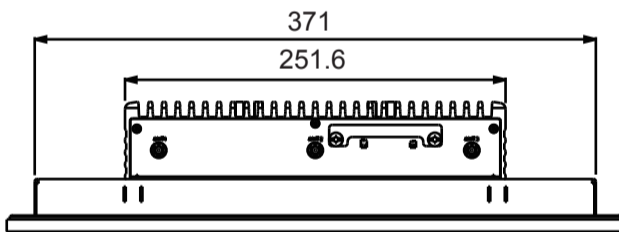
**Top View (SP-6140)**



**Side View**



**Top View (SP-6145)**

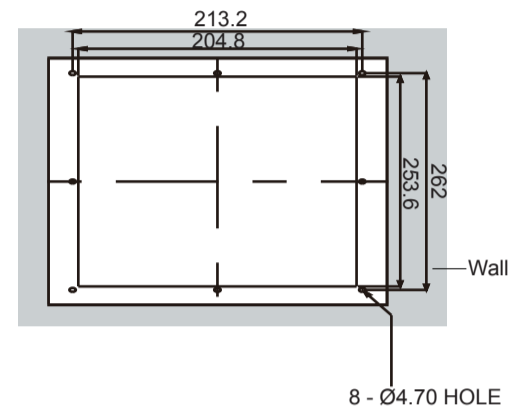


### Wall Mount

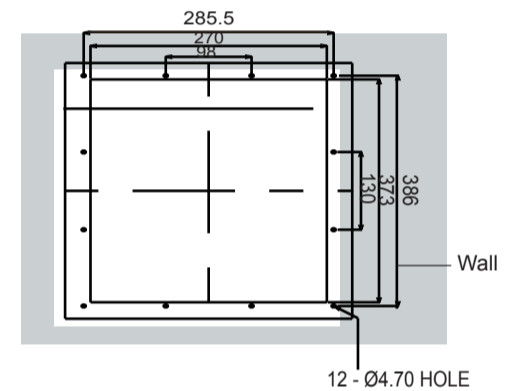
**Cut-out Dimension**

(Unit: mm)

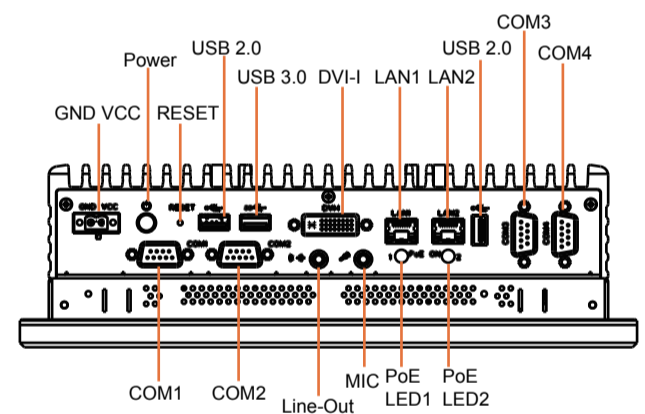
**SP-6140**



**SP-6145**



**I/O View**



The following messages are safety reminders on protecting your system from damages and extending a long life of the system.

**1. Check the Cable Voltage**

- The range of operating voltage should be between DC 9V and 36V. Otherwise, the system could be damaged.

**2. Environmental Conditions**

- Place your SP-6140/6145 on a sturdy & level surface. Be sure to allow enough space to have easy access around the system.
- Avoid extremely hot or cold place to install the system.
- Avoid exposure to sunlight for a long period of time or in a airtight space. Also, avoid the system from any heating device or using SP-6140 when it's been left outdoors in a cold winter day.
- Note that the operating ambient temperature is 0~45°C for HDD & 0~55°C for CFast card.
- Avoid moving the system rapidly from a hot place to a cold one and vice versa because condensation may come from inside of the system.
- Place SP-6140/6145 in strong vibrations may cause hard disk failure.
- Do not place the system close to any radio active device in case of signal interference.

**3. Handling**

- Avoid putting heavy objects on top of the system.
- Do not turn the system upside down. This may cause the floppy drive and hard drive to mal-function.
- If water or other liquid spills into this product, unplug the power cord immediately.

**4. Good Care**

- When the outside of the case is stained, remove the stain with neutral washing agent with a dry cloth.
- Never use strong agents such as benzene or thinner to clean the system.
- If heavy stains are present, moisten a cloth with diluted neutral washing agent or alcohol, and then wipe thoroughly with a dry cloth.
- If dust has been accumulated on the outside, clean with a special vacuum cleaner made for computers.

**CAUTION!** Danger of explosion if battery is incorrectly replaced. Replace only with the same or equivalent type recommended by the manufacturer. Dispose of used batteries per the manufacturer's instructions.

**WARNING!** Some internal parts of the system may have high electrical voltage. Therefore we strongly recommend qualified engineers open and disassemble the system. The LCD and touch screen are easily breakable, please handle them with extra care.

### Safety Precaution