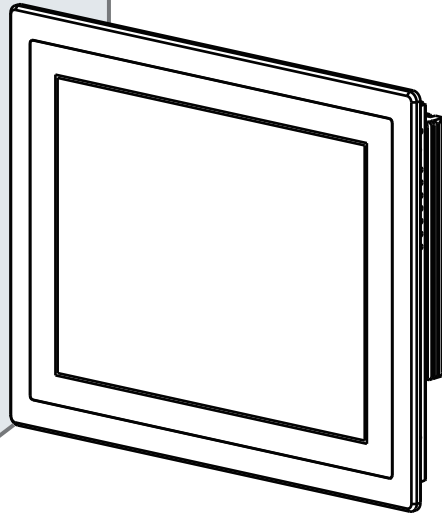


Specification

SP-6130/ SP-6132/ SP-6135/ SP-6138

Quick Reference Guide



Ver. Q1

All Rights Reserved. Copyright 2014

System

CPU Support	Intel® D2550 processor on board
Chipset	Intel® NM10
OS Support	Windows 7
Memory Support	1 x DDR3 SO-DIMM Socket (up to 4GB)
Drive Bay	1 x 2.5" SATA HDD
Power Requirement	DC in 9~36V
Front Bezel	Aluminum
IP65	Front panel only
Wall Mount Type	VESA 75
Net Weight & Dimension (WxHxD)	SP-6130: 3.11 kg ; 281.6 x 228.8 x 68.98 mm SP-6132: 3.55 kg ; 324 x 253 x 71 mm SP-6135: 4.96 kg ; 395 x 294 x 74 mm SP-6138: 2.69 kg ; 252 x 184.6 x 71 mm
Certificate	FCC/CE

I/O Ports

Serial Port	2 x COM ports (5V/12V/RI selectable) COM2 is RS-232/422/485 selectable.
USB	2 x USB 2.0
DVI	1 x DVI
LAN	2 x LAN (10/100/1000 Mbps)
Audio	1 x Line out, 1 x MIC-in
Expansion slot	1 x Mini-PCIe slot, 1 x CFAST card slot

Display

LCD Panel Size & Resolution	SP-6130: 10.4" SVGA or XGA SP-6132: 12.1" XGA SP-6135: 15" XGA SP-6138: 8.4" SVGA
Touchscreen	(ELO) 5W Bezel-free Analog resistive (USB interface)

Environment

Operating Temp.	HDD: 0 ~ 45°C (32 ~ 113°F) CFAST Card: 0 ~ 55°C (32 ~ 131°F)
Storage Temp.	-20 ~ 60°C (-4 ~ 140°F)
Humidity	20 ~ 90%

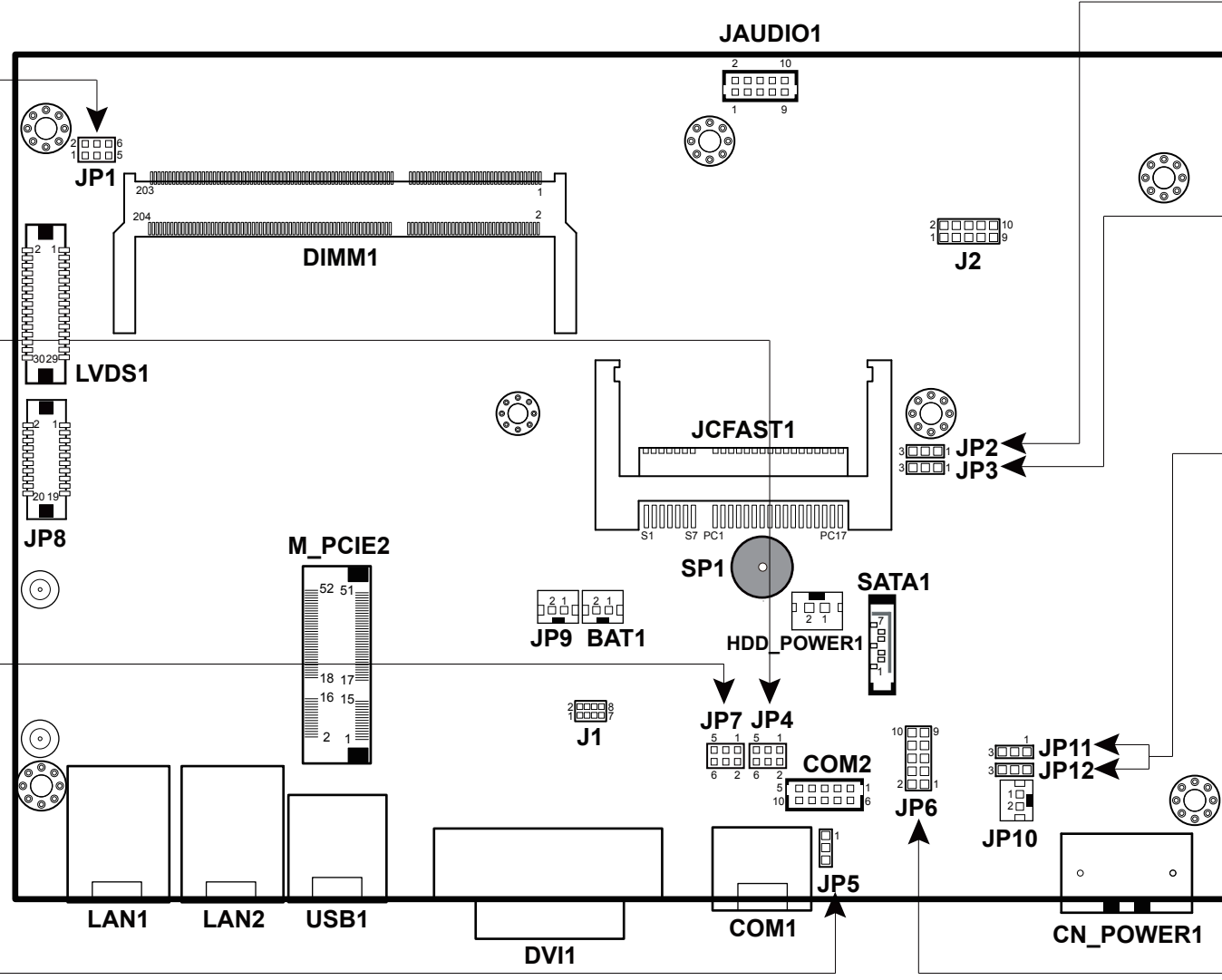
Jumper Setting

LVDS Power Panel Connector

COM2 Configuration Connector

COM1 Configuration Connector

COM2 Auto Detect Selection



Clear CMOS Data Selection

CFAST Card Power Connector

System Power Selection

COM2 RS232/422/485 Selection

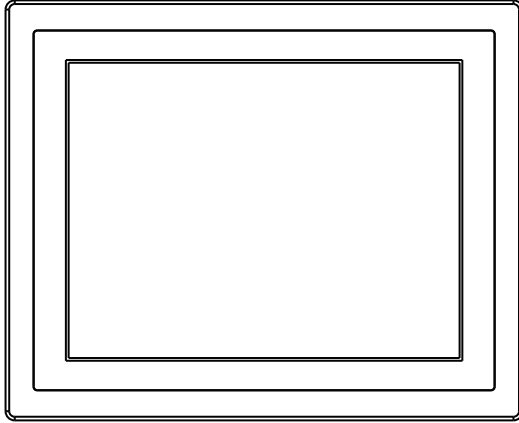
SP-6130/6132/6135/6138

10.4"/12.1"/15"/8.4" Fanless Panel PC

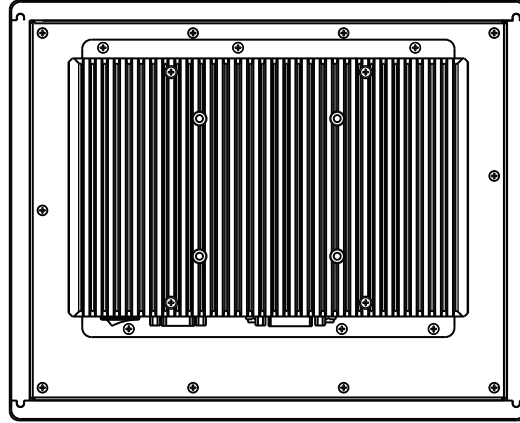
System View

(Take SP-6130 for example.)

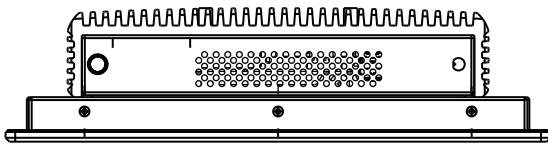
Front View



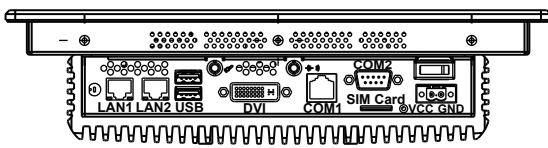
Rear View



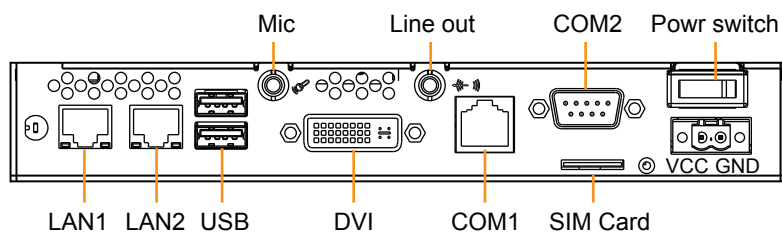
Top View



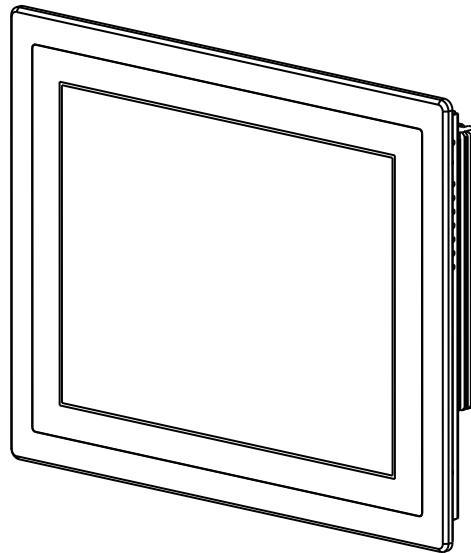
Rear View



I/O View

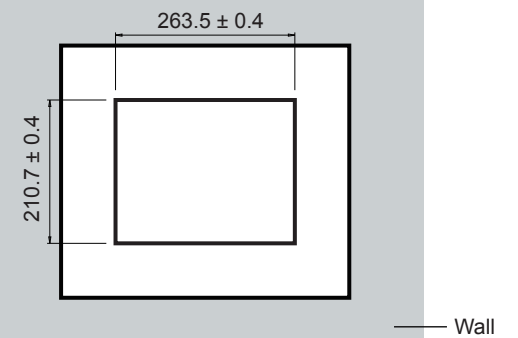


Quarter View

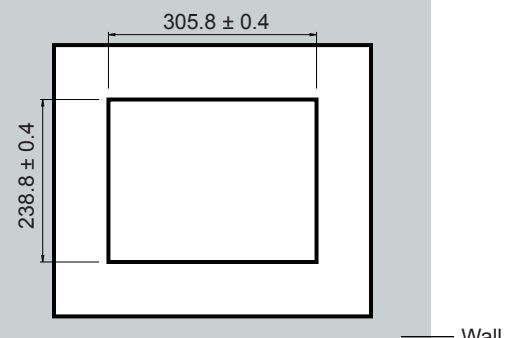


Cut-out Dimension:
(Unit: mm)

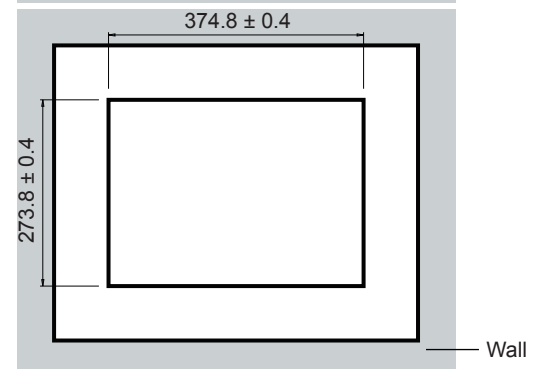
SP-6130



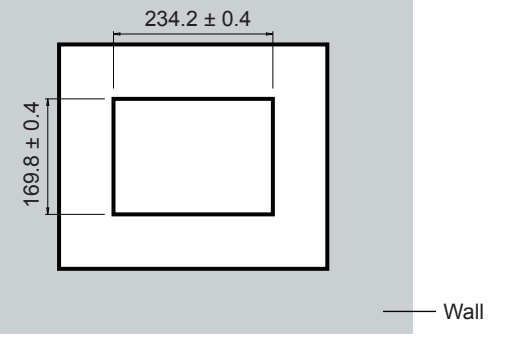
SP-6132



SP-6135



SP-6138



Safety Precaution

The following messages are safety reminders on protecting your system from damages and extending a long life of the system.

1. Check the Cable Voltage
 - The range of operating voltage should be between DC 9V and 36V. Otherwise, the system could be damaged.
2. Environmental Conditions
 - Place the system on a sturdy & level surface. Be sure to allow enough space to have easy access around the system.
 - Avoid extremely hot or cold place to install the system.
 - Avoid exposure to sunlight for a long period of time or in a airtight space. Also, avoid the system from any heating device or using SP-6120/6122/6128 when it's been left outdoors in a cold winter day.
 - Note that the operating ambient temperature is 0~45°C for HDD & 0~55°C for CFAST card.
 - Avoid moving the system rapidly from a hot place to a cold one and vice versa because condensation may come from inside of the system.
 - Place the system in strong vibrations may cause hard disk failure.
 - Do not place the system close to any radio active device in case of signal interference.

3. Handling

- Avoid putting heavy objects on top of the system.
- Do not turn the system upside down. This may cause the hard drive to mal-function.
- If water or other liquid spills into this product, unplug the power cord immediately.

4. Good Care

- When the outside of the case is stained, remove the stain with neutral washing agent with a dry cloth.
- Never use strong agents such as benzene or thinner to clean the system.
- If heavy stains are present, moisten a cloth with diluted neutral washing agent or alcohol, and then wipe thoroughly with a dry cloth.
- If dust has been accumulated on the outside, clean with a special vacuum cleaner made for computers.

CAUTION! Danger of explosion if battery is incorrectly replaced. Replace only with the same or equivalent type recommended by the manufacturer. Dispose of used batteries per the manufacturer's instructions.

WARNING! Some internal parts of the system may have high electrical voltage. Therefore we strongly recommend qualified engineers open and disassemble the system. The LCD and touch screen are easily breakable, please handle them with extra care.