

SG-S192



Intel® Celeron® J6412 / Atom® x6425RE Processor Fanless and All-around IP66 / IP69K Stainless 19" Panel PC



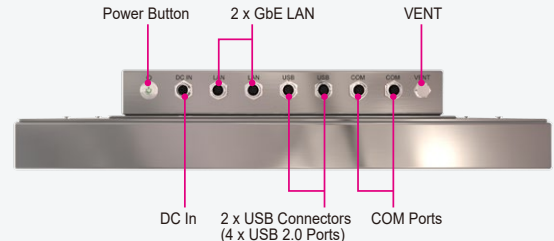
Features

- Intel® Celeron® J6412/Atom® x6425RE processor on board
- Fanless and quiet design
- Stainless steel SUS304
- All-around IP66/IP69K mechanical design
- M12 waterproof connectors
- Supports 5-wire resistive touchscreen
- Easy Maintenance and key parts installation

Specifications

System	
CPU Type	Intel® Celeron® J6412 processor Intel® Atom® x6425RE processor
Chipset	Intel® SoC
Memory Support	1 x DDR4 3200MHz SO-DIMM socket (up to 32 GB) (non-ECC)
Enclosure	Stainless SUS304
IP Rating	IP66/IP69K
Power Input	DC In 12V/24V
Watchdog	1~255 second watchdog timer selectable
Operating System	Windows 11, Windows 10 IoT LTSC 64bit, Ubuntu 20.04 (Kernel 5.4)
Dimensions (W x H x D)	488 x 416 x 95.3 mm (w/o Stand) 488 x 464 x 160 mm (with Stand)
System Weight	16 kg
Mounting Support	Wall mount/VESA 100/Stand
Certification	FCC/CE
I/O Ports	
Power Input	1 x M12 waterproof connector, supporting 12V/24V DC
USB	2 x USB 2.0 M12 waterproof connectors (4 x USB ports)
Serial Port	2 x COM M12 waterproof connectors, with RS-232/422/485
LAN	2 x 2.5 GbE LANs with M12 waterproof connector, Intel® I255-IT; supports Wake-On-LAN
Storage	1 x 2.5" SATA III SSD 1 x M.2 slot for NVMe SSD (size 2280, PCIeX2)
Expansion Slot	1 x full-sized Mini PCIe slot
Display	
LCD	19" TFT LCD (LED) resolution 1280 x 1024
Touchscreen	5-wire resistive touchscreen
Environment	
Operating Temp. (Ambient with airflow)	0°C~50°C (32°F~122°F)
Storage Temp.	-20°C~80°C (-4°F~176°F)
Humidity	20%~90%

I/O Connector

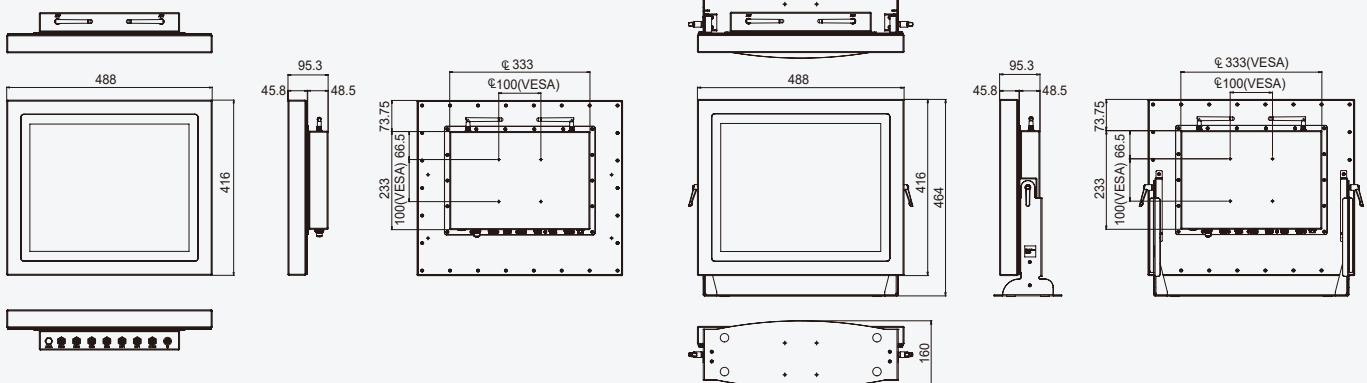


Application

- Automation
- Information
- Food Service



Dimensions



Unit: mm

* All information contained in this document is subject to change without prior notice. Please log on www.protech.com.tw to acquire latest information. For detail mechanics drawing, please contact our sales.

Protech Systems Co., Ltd.
No. 24, Lane 365, Yang Kuang Street,
Nei Hu District, Taipei 114, Taiwan
TEL: +886-2-8751-1111
E-mail: sales@protech.com.tw
<https://www.protech.com.tw>

Protech Japan Co., Ltd.
OSK Bldg, 6F, 6-25-14, Minami-ohi
Shinagawa-ku, Tokyo, 140-0013
TEL: +81-3-5753-8411
E-mail: sam@protech-j.com
<http://www.protech-j.com>

Protech Technologies Inc.
950 Fee Ana St, Suite B
Placentia, CA 92670
TEL: +1-714-996-7200
E-mail: sales@protech-usa.net
<http://www.protech-usa.net>

PROX SYSTEMS Germany GmbH
Weststrasse 20a, 40721 Hilden
Düsseldorf, Germany
TEL: +49 (0) 2103-41898-0
E-mail: sales@prox-systems.eu
<http://www.prox-systems.eu>

PROX SYSTEMS SPAIN S.L.
C/ Albasanz 14 Bis, 2ºD
28037 Madrid, Spain
TEL: (+34) 917648559
E-mail: sales.spain@prox-systems.com
<http://www.prox-systems.com>