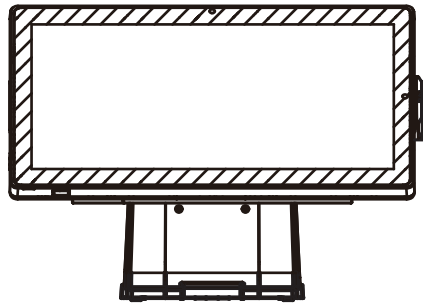


PA-J600

Quick Reference Guide



Ver. Q1

All Rights Reserved. Copyright 2020

Packing Checklist

If you discover any of the items below are damaged or lost, please contact your vendor immediately.

- PA-J600 X 1
- This Quick Reference Guide X 1
- Power Adaptor X 1
- AC Power Cord X 1
- Driver DVD X 1

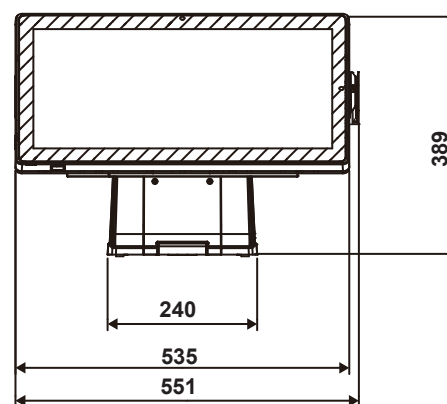
Specifications

System	CPU Support	Intel® Core™ i5-7300U/i3-7100U/Pentium® 4415U/Celeron® 3965U
	Memory	1 x DDR4 SO-DIMM slot (up to 16GB)
	Network	1 x Giga LAN (RJ45) for 10/100/1000 Mbps
	Power Supply	90/120 Watt Power Adapter
	O.S. Support	Windows 10 IoT 2016/2019
	Speaker	2W Speaker
	Wall Mount Type	VESA 100 x 100mm
	Other Slots	1 x M.2 2230 type for Wi-Fi module, Wi-Fi(PCIe) / BT(USB)
	Watchdog	1~255 seconds watchdog timer selectable
	System Weight	With power adapter approx. 11kg
	Dimensions (WxHxD)	535 x 389 x 293mm
Storage	SATA	1 x 2.5" HDD or SSD 1 x M.2 2242, SATA interface
I/O Ports	USB	2 + 2 (optional) x USB 2.0 / 2 x USB 3.0 (Type A, rear I/O)
	Serial Ports	1 x DB-9, 2+1 (optional)xRJ45(all support +5V/+12V selectable)
	LAN	1 x Giga LAN (RJ45) for 10/100/1000 Mbps
	Cash Drawer	1 x RJ11, support 12V/24V selectable by Jumper
	2nd & 3rd Display Support	1 x VGA D-Sub, 1080P@60Hz
	Audio	1 x HDMI port, 4096 x 2304 @60Hz
	DC In	1 x Mic In & Line Out (optional)
	Power Switch	1 x 4-pin DC power jack, 24VDC In 1 x Power Switch
Add-ons	Customer Display	VFD kit, 20 columns and 2 lines, Resolution: 320 x 32 dots
	MSR & iButton	JIS I,II , ISO Track1+2+3
	RFID	ISO14443A read/write; ISO18092 read only
	Fingerprint	8-bit grayscale reader
	Barcode Scanner	5.0M pixel CMOS camera module 1D: EAN-13, EAN-8, UPC-A, UPC-E, ISSN, ISBN, Codabar, Code 128, Code 93, ITF-6, ITF-14, Interleaved 2 of 5, Industrial 2 of 5, Standard 2 of 5, Matrix 2 of 5, GS1 Databar, Code 39, Code 11 2D: PDF417, QR Code, Micro QR, Data Matrix
Display	LCD	21.5" TFT LCD (Resolution: 1920 x 1080) Brightness: 250 cd/m²
	Touchscreen	P-CAP touch panel, USB interface
	Tilt Angle	0~50 degrees
Environment	EMC & Safety	CE / FCC
	Operating Temp.	0°C ~ 35°C (32°F ~ 95°F)
	Storage Temp.	-20°C ~ 60°C (-4°F ~ 140°F)
	Humidity	20% ~ 90%

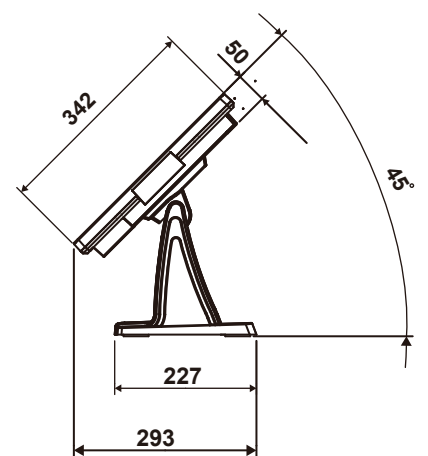
System View

Unit: mm

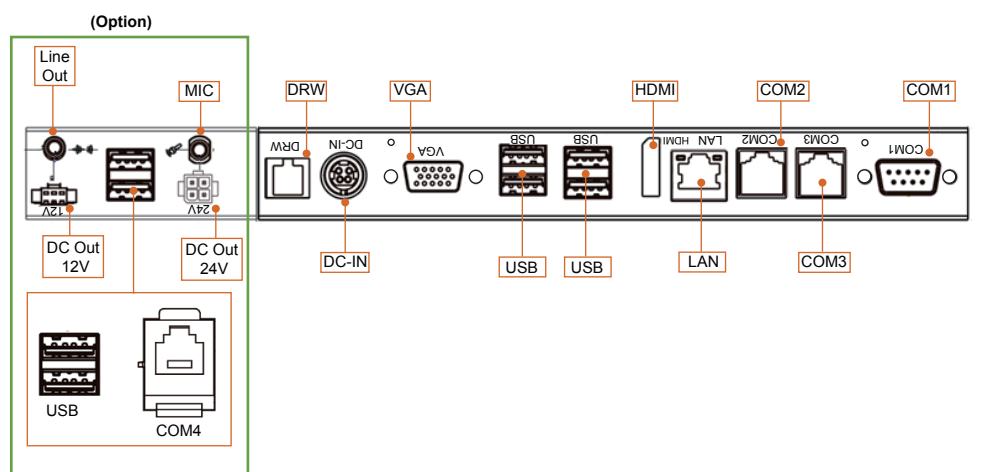
Front View



Side View



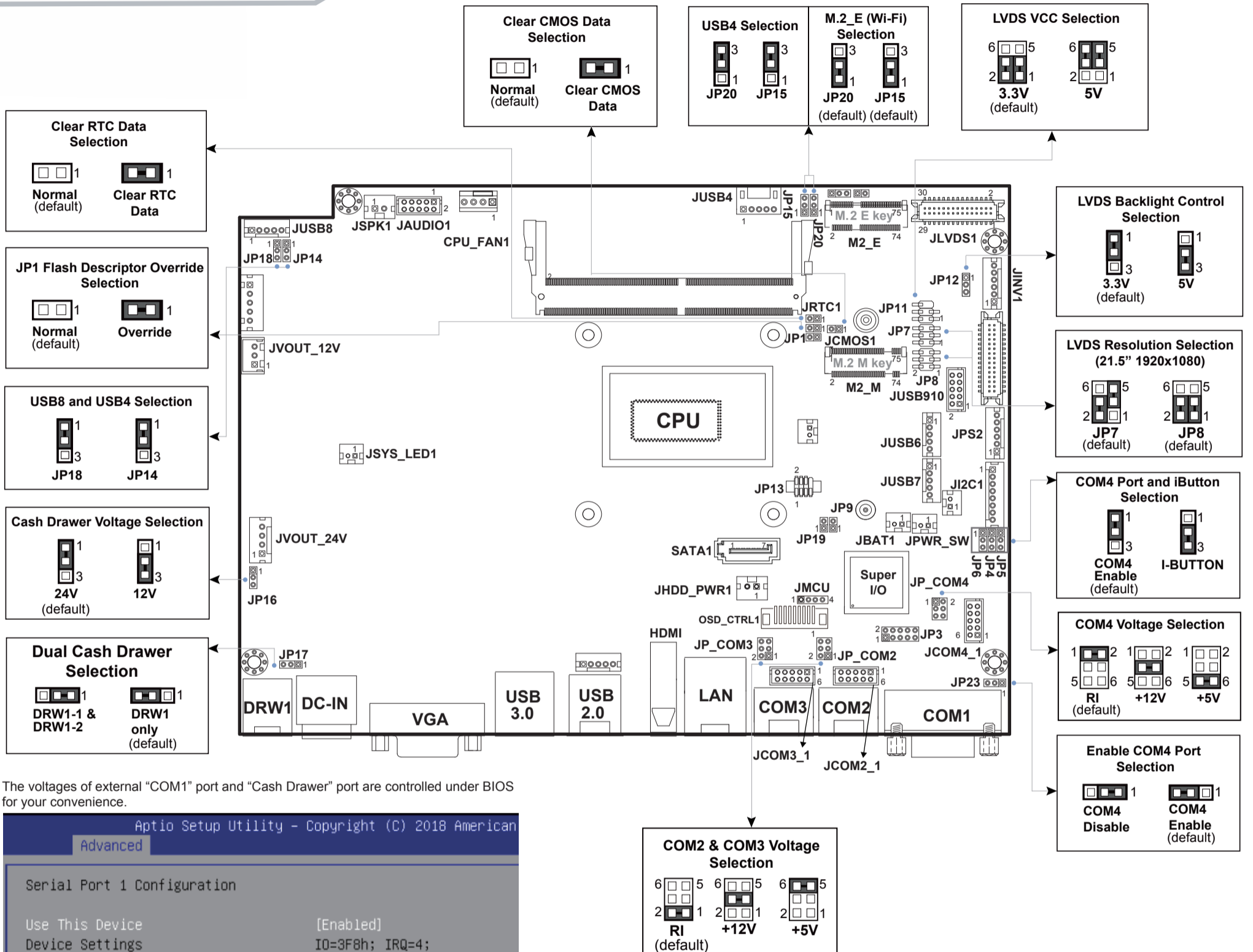
REAR I/O



PA-J600

21.5" Fanless Slim POS Terminal

Jumper Setting



Safety Precaution

The following messages are reminders for safety on how to protect your systems from damages and to extend a long life of the system.

1. Check the Cable Voltage

- Make sure the range of operating voltage between AC 100V ~ 240V. Otherwise, the system could be damaged.

2. Environmental Conditions

- Place your system on a sturdy, level surface. Be sure to allow enough space to have easy access around the system.
- Avoid extremely hot or cold place to install the system.
- Avoid exposure to sunlight for a long period of time or in an airtight space.
- Avoid the system from any heating device or using it outdoors in a cold winter day.
- Bear in mind that the operating ambient temperature is from 0 ~ 35°C (32 ~ 95°F).
- Avoid moving the system rapidly from a hot place to a cold place and vice versa because condensation may come from inside of the system.
- Place the system in strong vibration(s) may cause hard disk failure.
- Don't place the system close to any radio active device in case of signal interference.

3. Handling

- If the system isn't fully in DOS mode, adjust BIOS setting as the instruction:
Advanced Chipset Feature => Boot display => choose "LFP".

- Avoid putting heavy objects on top of the system.
- Don't turn the system upside down. This may cause the hard drive to malfunction.
- Don't allow foreign objects to fall into this product.
- If water or other liquid spills into this product, unplug the power cord immediately.

4. Good Care

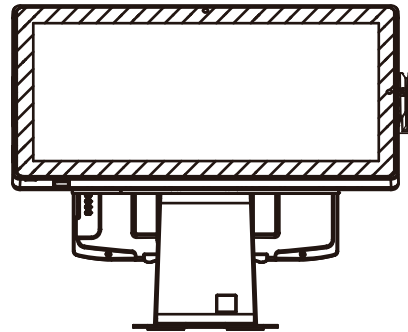
- When the outside of the case is stained, remove the stain with a neutral washing agent with a cloth.
- Never use strong agents such as benzene and thinner to clean the system.
- If heavy stains are present, moisten a cloth with diluted neutral washing agent or with alcohol and then wipe thoroughly with a dry cloth.
- If dust has been accumulated on the outside, remove it by using a special made vacuum cleaner for computers.
- Don't contact the surface of capacitive touch before entering your operation system, or capacitive touch may have problems for electrostatics interface.
- Don't exchange the M/B battery by yourself or serious damage may incur.

CAUTION! Danger of explosion if battery is incorrectly replaced. Replace only with the same or equivalent type recommended by the manufacturer. Dispose of used batteries according to the manufacturer's instructions.

WARNING! Some internal parts of the system may have high electrical voltage. And therefore we strongly recommend that qualified engineers can open and disassemble the system. The LCD and Touchscreen are easily breakable, please handle them with extra care.

PA-J600

Quick Reference Guide



Ver. Q1

All Rights Reserved. Copyright 2020

Packing Checklist

If you discover any of the items below are damaged or lost, please contact your vendor immediately.

- PA-J600 X 1
- This Quick Reference Guide X 1
- Power Adaptor X 1
- AC Power Cord X 1
- Driver DVD X 1

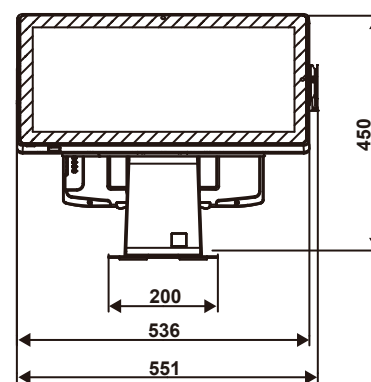
Specifications

System	CPU Support	Intel® Core™ i5-7300U/i3-7100U/Pentium® 4415U/Celeron® 3965U
	Memory	1 x DDR4 SO-DIMM slot (up to 16GB)
	Network	1 x Giga LAN (RJ45) for 10/100/1000 Mbps
	Power Supply	90/120 Watt Power Adapter
	O.S. Support	Windows 10 IoT 2016/2019
	Speaker	2W Speaker
	Wall Mount Type	VESA 100 x 100mm
	Other Slots	1 x M.2 2230 type for Wi-Fi module, Wi-Fi(PCIe) / BT(USB)
	Watchdog	1~255 seconds watchdog timer selectable
	System Weight	With power adapter approx. 12kg
	Dimensions (WxHxD)	536 x 450 x 297mm
Storage	SATA	1 x 2.5" HDD or SSD 1 x M.2 2242, SATA interface
I/O Ports	USB	2 + 2 (optional) x USB 2.0 / 2 x USB 3.0 (Type A, rear I/O)
	Serial Ports	1 x DB-9, 2+1 (optional)xRJ45(all support +5V/+12V selectable)
	LAN	1 x Giga LAN (RJ45) for 10/100/1000 Mbps
	Cash Drawer	1 x RJ11, support 12V/24V selectable by Jumper
	2nd & 3rd Display Support	1 x VGA D-Sub, 1080P@60Hz
	Support	1 x HDMI port, 4096 x 2304 @60Hz
	Audio	1 x Mic In & Line Out (optional)
	DC In	1 x 4-pin DC power jack, 24VDC In
Power Switch	1 x Power Switch	
Add-ons	Customer Display	VFD kit, 20 columns and 2 lines, Resolution: 320 x 32 dots
	MSR & iButton	JIS I,II , ISO Track1+2+3
	RFID	ISO14443A read/write; ISO18092 read only
	Fingerprint	8-bit grayscale reader
	Camera	5.0M pixel CMOS camera module
Barcode Scanner	1D:	EAN-13, EAN-8, UPC-A, UPC-E, ISSN, ISBN, Codabar, Code 128, Code 93, ITF-6, ITF-14, Interleaved 2 of 5, Industrial 2 of 5, Standard 2 of 5, Matrix 2 of 5, GS1 Databar, Code 39, Code 11
	2D:	PDF417, QR Code, Micro QR, Data Matrix
Display	LCD	21.5" TFT LCD (Resolution: 1920 x 1080) Brightness: 250 cd/m²
	Touchscreen	P-CAP touch panel, USB interface
	Tilt Angle	0~50 degrees
Environment	EMC & Safety	CE / FCC
	Operating Temp.	0°C ~ 35°C (32°F ~ 95°F)
	Storage Temp.	-20°C ~ 60°C (-4°F ~ 140°F)
	Humidity	20% ~ 90%

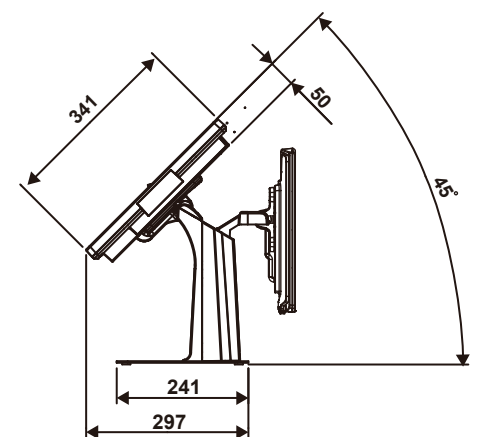
System View

Unit: mm

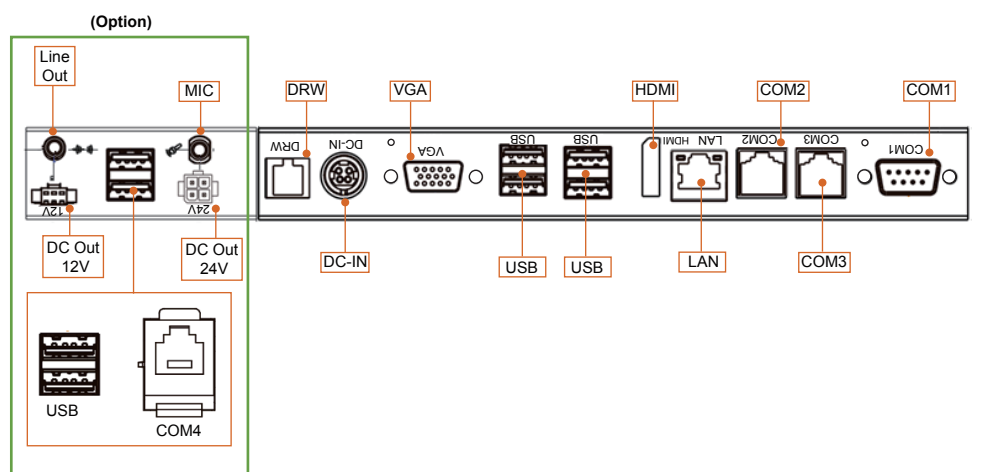
Front View



Side View



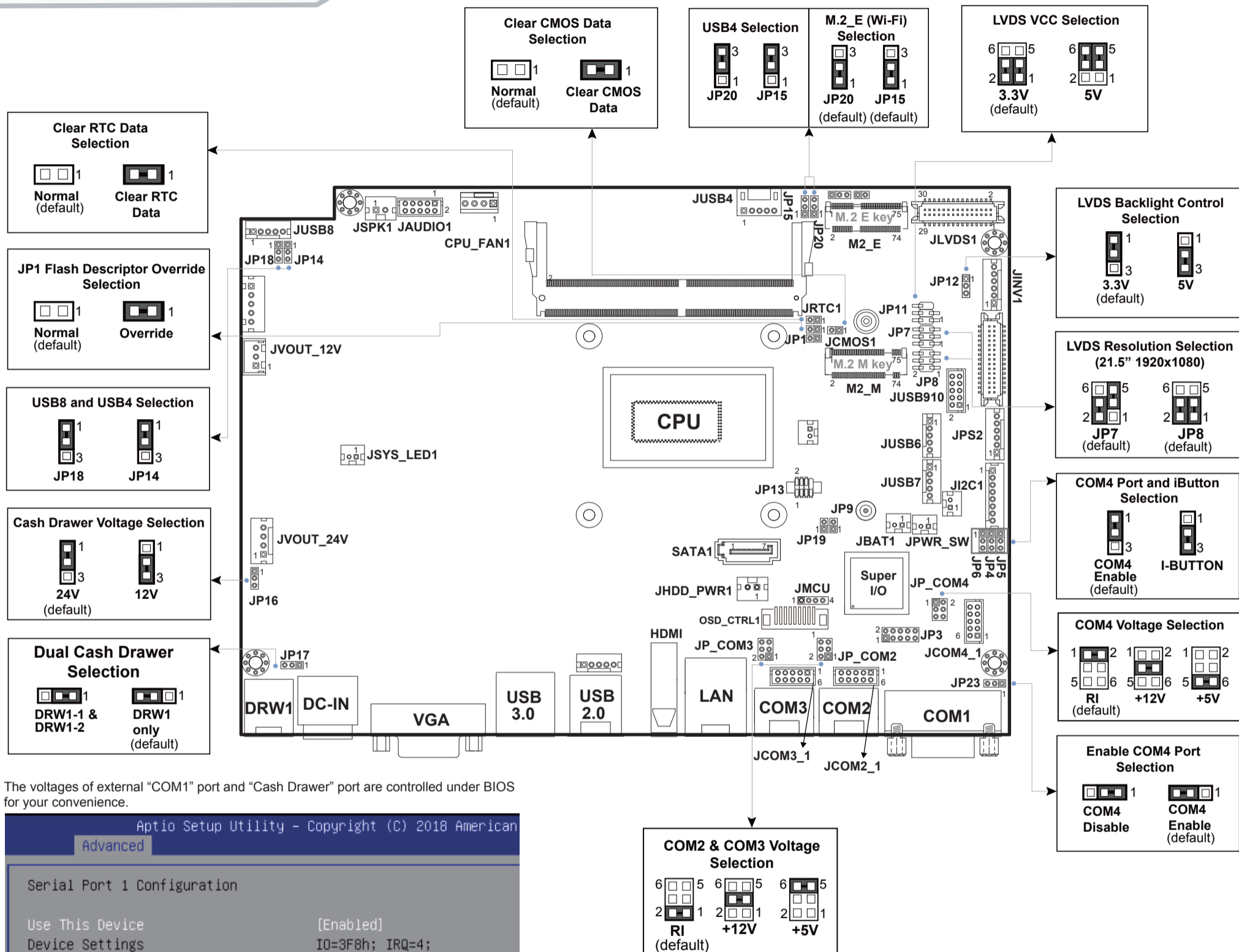
REAR I/O



PA-J600

21.5" Fanless Slim POS Terminal

Jumper Setting



Safety Precaution

The following messages are reminders for safety on how to protect your systems from damages and to extend a long life of the system.

1. Check the Cable Voltage

- Make sure the range of operating voltage between AC 100V ~ 240V. Otherwise, the system could be damaged.

2. Environmental Conditions

- Place your system on a sturdy, level surface. Be sure to allow enough space to have easy access around the system.
- Avoid extremely hot or cold place to install the system.
- Avoid exposure to sunlight for a long period of time or in an airtight space.
- Avoid the system from any heating device or using it outdoors in a cold winter day.
- Bear in mind that the operating ambient temperature is from 0 ~ 35°C (32 ~ 95°F).
- Avoid moving the system rapidly from a hot place to a cold place and vice versa because condensation may come from inside of the system.
- Place the system in strong vibration(s) may cause hard disk failure.
- Don't place the system close to any radio active device in case of signal interference.

3. Handling

- If the system isn't fully in DOS mode, adjust BIOS setting as the instruction:
Advanced Chipset Feature => Boot display => choose "LFP".

- Avoid putting heavy objects on top of the system.
- Don't turn the system upside down. This may cause the hard drive to malfunction.
- Don't allow foreign objects to fall into this product.
- If water or other liquid spills into this product, unplug the power cord immediately.

4. Good Care

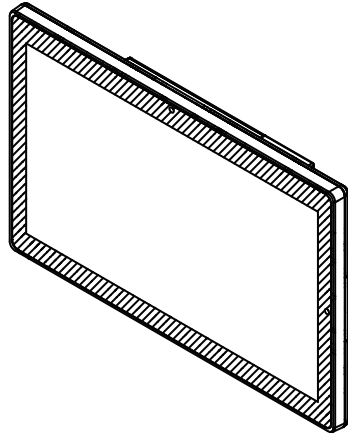
- When the outside of the case is stained, remove the stain with a neutral washing agent with a cloth.
- Never use strong agents such as benzene and thinner to clean the system.
- If heavy stains are present, moisten a cloth with diluted neutral washing agent or with alcohol and then wipe thoroughly with a dry cloth.
- If dust has been accumulated on the outside, remove it by using a special made vacuum cleaner for computers.
- Don't contact the surface of capacitive touch before entering your operation system, or capacitive touch may have problems for electrostatics interface.
- Don't exchange the M/B battery by yourself or serious damage may incur.

CAUTION! Danger of explosion if battery is incorrectly replaced. Replace only with the same or equivalent type recommended by the manufacturer. Dispose of used batteries according to the manufacturer's instructions.

WARNING! Some internal parts of the system may have high electrical voltage. And therefore we strongly recommend that qualified engineers can open and disassemble the system. The LCD and Touchscreen are easily breakable, please handle them with extra care.

PA-J600

Quick Reference Guide



Ver. Q1

All Rights Reserved. Copyright 2020

Packing Checklist

If you discover any of the items below are damaged or lost, please contact your vendor immediately.

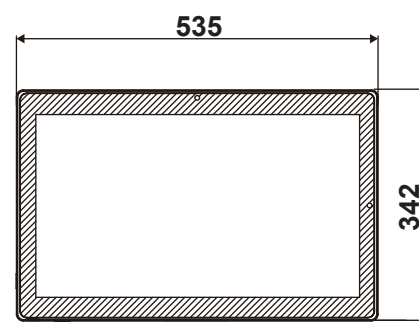
- PA-J600 X 1
- This Quick Reference Guide X 1
- Power Adaptor X 1
- AC Power Cord X 1
- Driver DVD X 1

Specifications

System	CPU Support	Intel® Core™ i5-7300U/i3-7100U/Pentium® 4415U/Celeron® 3965U
	Memory	1 x DDR4 SO-DIMM slot (up to 16GB)
	Network	1 x Giga LAN (RJ45) for 10/100/1000 Mbps
	Power Supply	90/120 Watt Power Adapter
	O.S. Support	Windows 10 IoT 2016/2019
	Speaker	2W Speaker
	Wall Mount Type	VESA 100 x 100mm
	Other Slots	1 x M.2 2230 type for Wi-Fi module, Wi-Fi(PCIe) / BT(USB)
	Watchdog	1~255 seconds watchdog timer selectable
	System Weight	6.2kg (PPC)
	Dimensions (WxHxD)	535 x 342 x 50mm
	Storage	SATA
I/O Ports	USB	2 + 2 (optional) x USB 2.0 / 2 x USB 3.0 (Type A, rear I/O)
	Serial Ports	1 x DB-9, 2+1 (optional)xRJ45(all support +5V/+12V selectable)
	LAN	1 x Giga LAN (RJ45) for 10/100/1000 Mbps
	Cash Drawer	1 x RJ11, support 12V/24V selectable by Jumper
	2nd & 3rd Display Support	1 x VGA D-Sub, 1080P@60Hz
	Audio	1 x HDMI port, 4096 x 2304 @60Hz
	DC In	1 x Mic In & Line Out (optional)
Add-ons	Customer Display	1 x 4-pin DC power jack, 24VDC In
	MSR & iButton	1 x Power Switch
	RFID	VFD kit, 20 columns and 2 lines, Resolution: 320 x 32 dots
	Fingerprint	JIS I,II , ISO Track1+2+3
	Camera	ISO14443A read/write; ISO18092 read only
	Barcode Scanner	8-bit grayscale reader 5.0M pixel CMOS camera module 1D: EAN-13, EAN-8, UPC-A, UPC-E, ISSN, ISBN, Codabar, Code 128, Code 93, ITF-6, ITF-14, Interleaved 2 of 5, Industrial 2 of 5, Standard 2 of 5, Matrix 2 of 5, GS1 Databar, Code 39, Code 11 2D: PDF417, QR Code, Micro QR, Data Matrix
Display	LCD	21.5" TFT LCD (Resolution: 1920 x 1080) Brightness: 250 cd/m²
	Touchscreen	P-CAP touch panel, USB interface
	Tilt Angle	0~50 degrees
Environment	EMC & Safety	CE / FCC
	Operating Temp.	0°C ~ 35°C (32°F ~ 95°F)
	Storage Temp.	-20°C ~ 60°C (-4°F ~ 140°F)
	Humidity	20% ~ 90%

System View

Front View

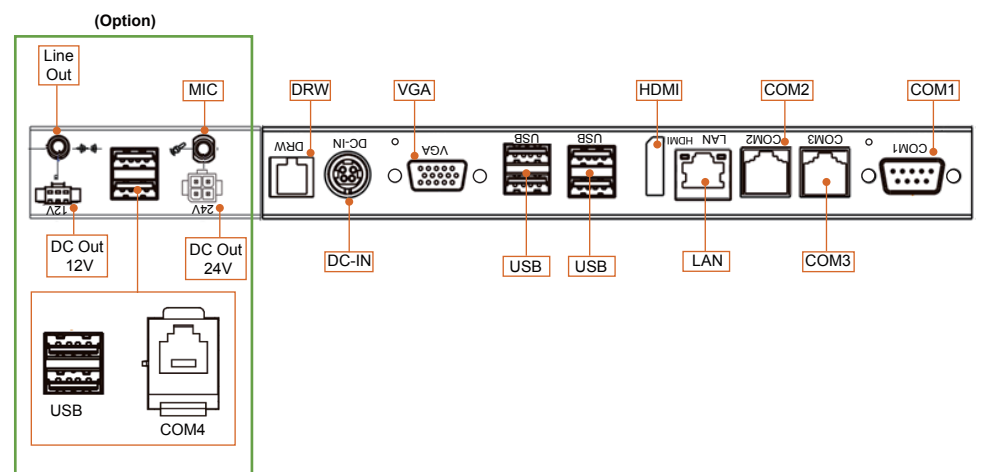


Side View



Unit: mm

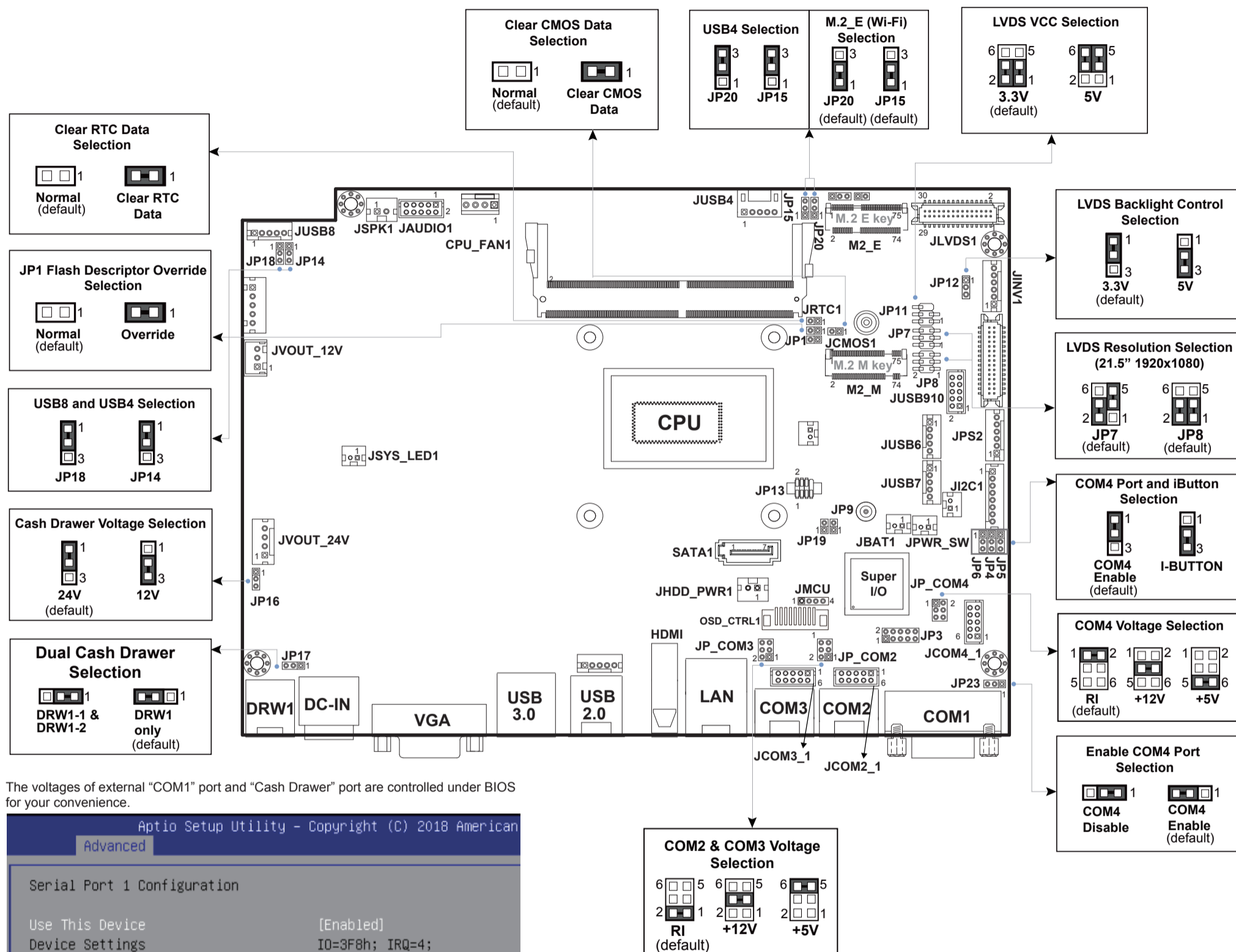
REAR I/O



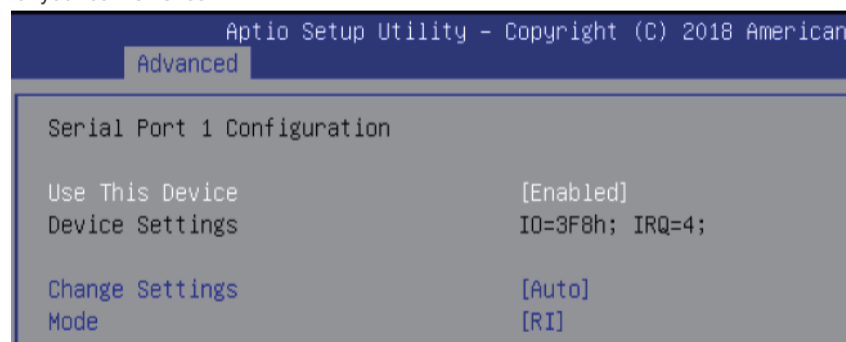
PA-J600

21.5" Fanless Slim POS Terminal

Jumper Setting



The voltages of external "COM1" port and "Cash Drawer" port are controlled under BIOS for your convenience.



Safety Precaution

The following messages are reminders for safety on how to protect your systems from damages and to extend a long life of the system.

1. Check the Cable Voltage

- Make sure the range of operating voltage between AC 100V ~ 240V. Otherwise, the system could be damaged.

2. Environmental Conditions

- Place your system on a sturdy, level surface. Be sure to allow enough space to have easy access around the system.
- Avoid extremely hot or cold place to install the system.
- Avoid exposure to sunlight for a long period of time or in an airtight space.
- Avoid the system from any heating device or using it outdoors in a cold winter day.
- Bear in mind that the operating ambient temperature is from 0 ~ 35°C (32 ~ 95°F).
- Avoid moving the system rapidly from a hot place to a cold place and vice versa because condensation may come from inside of the system.
- Place the system in strong vibration(s) may cause hard disk failure.
- Don't place the system close to any radio active device in case of signal interference.

3. Handling

- If the system isn't fully in DOS mode, adjust BIOS setting as the instruction:
Advanced Chipset Feature => Boot display => choose "LFP".

- Avoid putting heavy objects on top of the system.
- Don't turn the system upside down. This may cause the hard drive to malfunction.
- Don't allow foreign objects to fall into this product.
- If water or other liquid spills into this product, unplug the power cord immediately.

4. Good Care

- When the outside of the case is stained, remove the stain with a neutral washing agent with a cloth.
- Never use strong agents such as benzene and thinner to clean the system.
- If heavy stains are present, moisten a cloth with diluted neutral washing agent or with alcohol and then wipe thoroughly with a dry cloth.
- If dust has been accumulated on the outside, remove it by using a special made vacuum cleaner for computers.
- Don't contact the surface of capacitive touch before entering your operation system, or capacitive touch may have problems for electrostatics interface.
- Don't exchange the M/B battery by yourself or serious damage may incur.

CAUTION! Danger of explosion if battery is incorrectly replaced. Replace only with the same or equivalent type recommended by the manufacturer. Dispose of used batteries according to the manufacturer's instructions.

WARNING! Some internal parts of the system may have high electrical voltage. And therefore we strongly recommend that qualified engineers can open and disassemble the system. The LCD and Touchscreen are easily breakable, please handle them with extra care.

Package Contents (P/N: PA-J600-GZZ-32A)



Power Cord



Printer Door Key



- 1. ID Card Drawer Key
- 2. Hanging Screws
- 3. POS Mounting Screws
- 4. Base Stand & Part 1/Part 2 Screws

Follow the instructions below to assemble PA-J600 Floor Stand:

Step 1.
Take out the base stand from the box.



Step 2.
Check labels for the front side and back side.

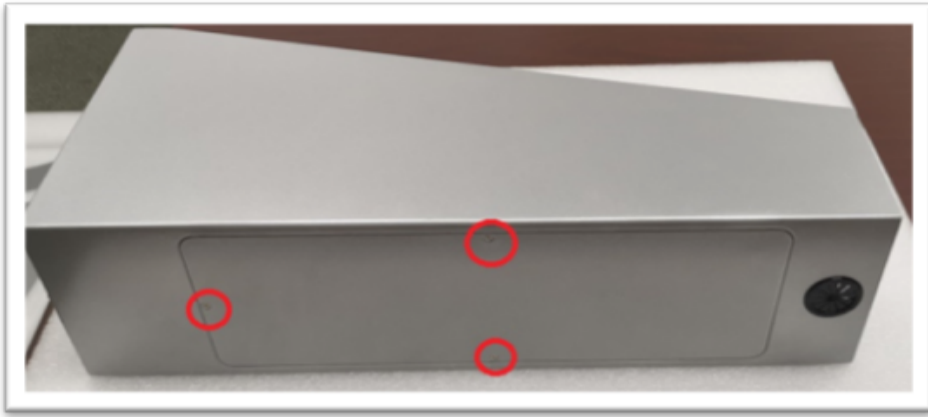


Step 3.
Take out Part 1 bracket as indicated below:



(continued on the next page.)

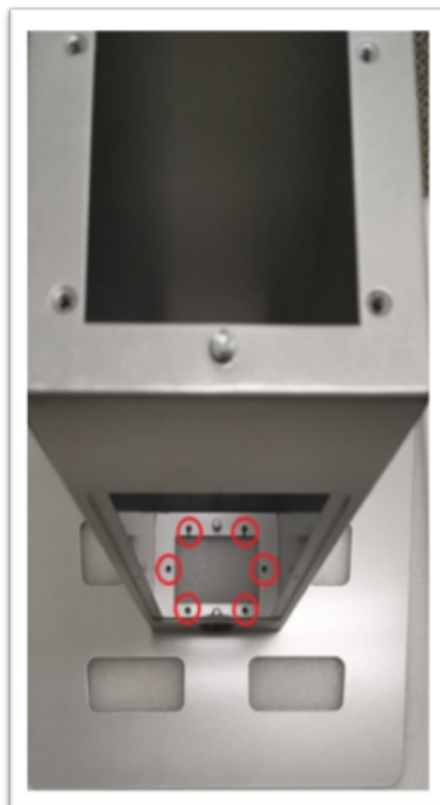
Step 4-1.
Remove the screws as shown:



Step 4-2.
Remove the back cover.



Step 5.
Tighten Part #1 bracket with Base Stand with screws #1.



Step 6.
Take out Part #2 bracket.



Step 7.
Remove the screws as shown and open the back cover.

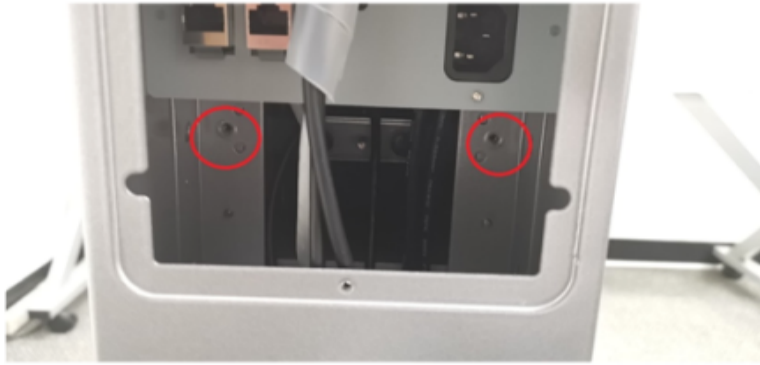


Step 8.
Pull cables out (Leave cables outside for easy installation.)



(continued on the next page.)

Step 9.
Remove the printer screws as shown:



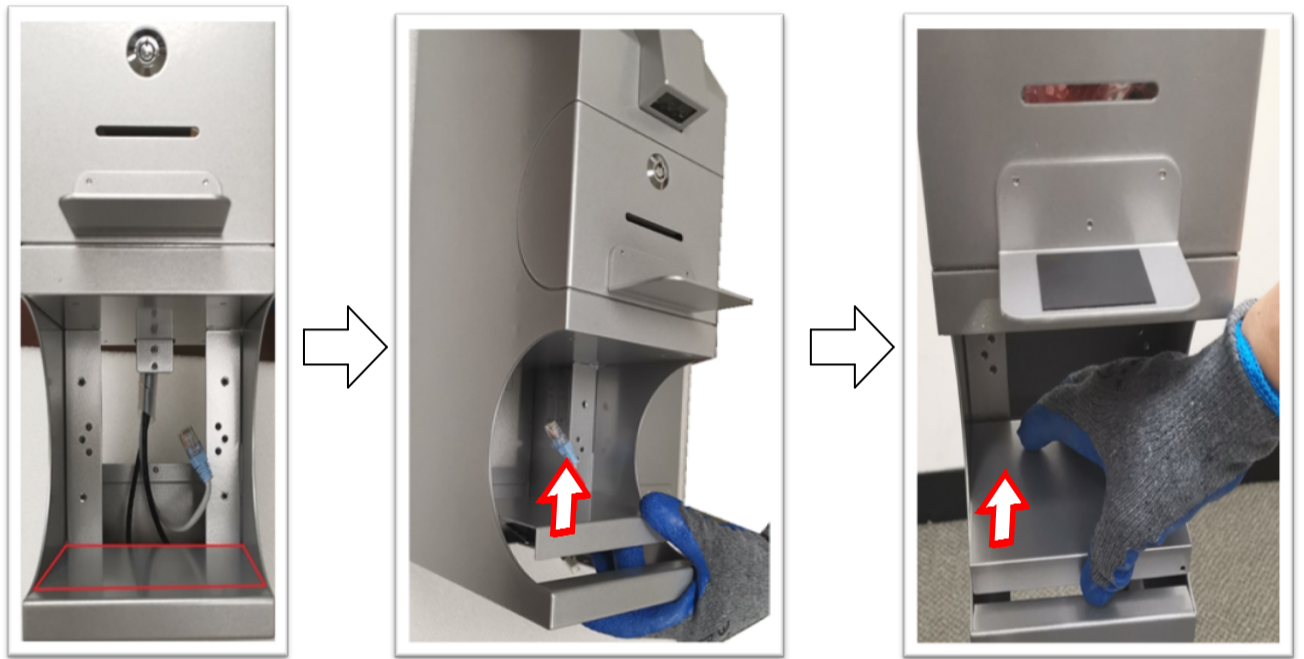
Step 10.
Pull out the Printer as shown:



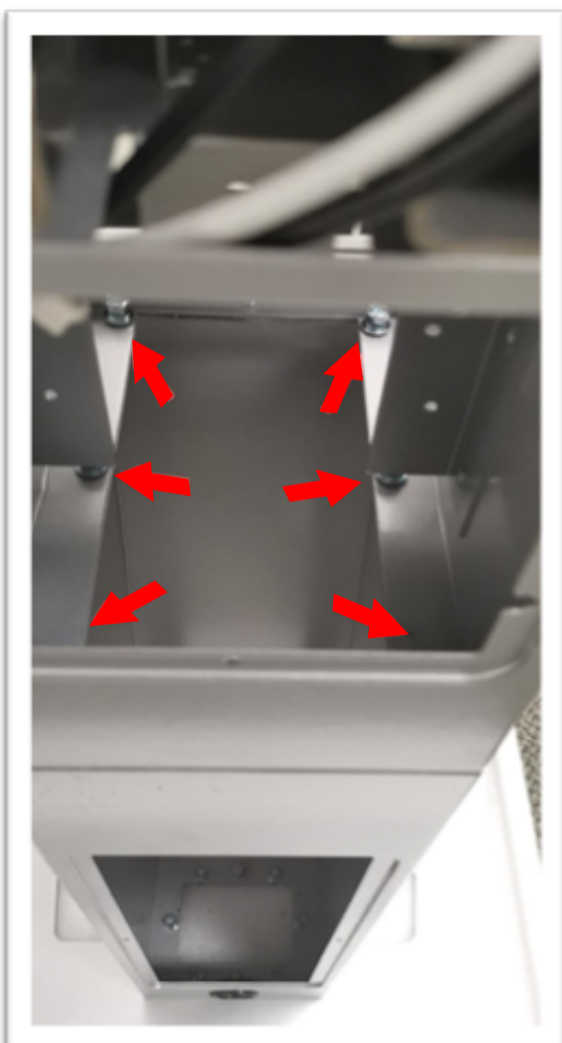
Step 11.
Unplug two cables from the printer and remove the Printer.



Step 12.
Push and lift up the printer stand.



Step 13.
Tighten the screws #2 (as shown) to secure Part #1 bracket.

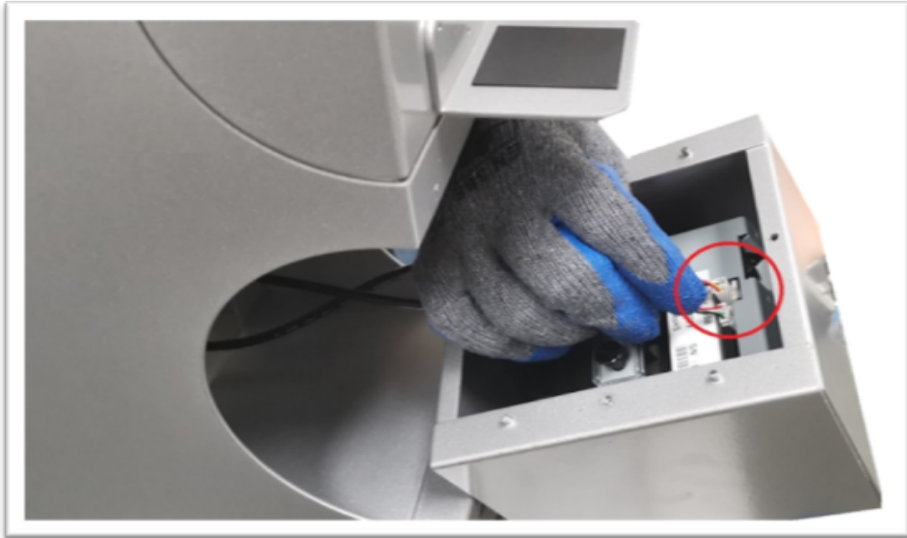


Step 14.
Put printer stand back.



(continued on the next page.)

Step 15.
Connect printer cables.



Step 16.
Put printer back.



Step 17.
Tighten the screws for Printer.



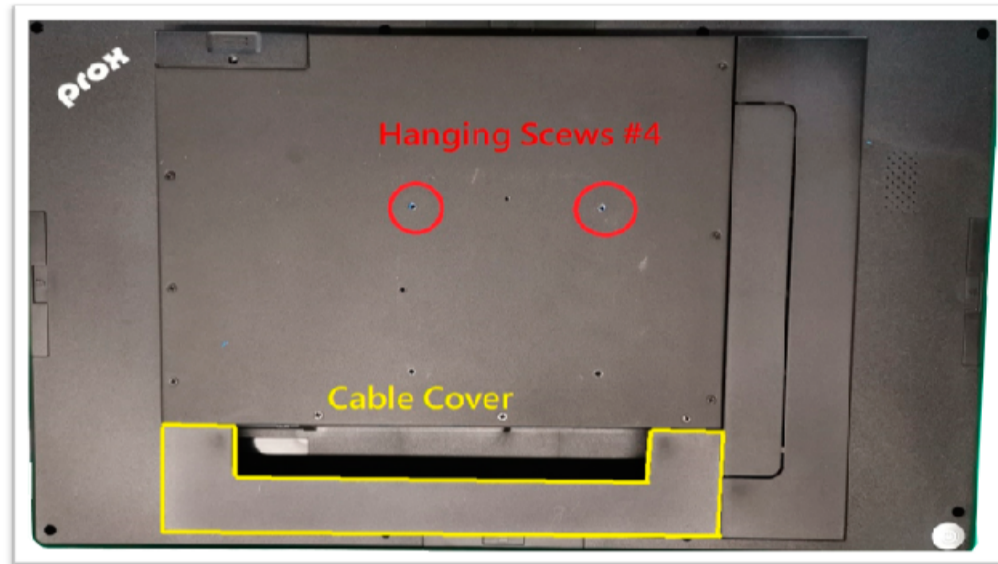
Step 18.
Connect power cord to complete KIOSK stand installation.



Step 19.
Follow the cable labels and connect the cables with a head unit (Panel PC).

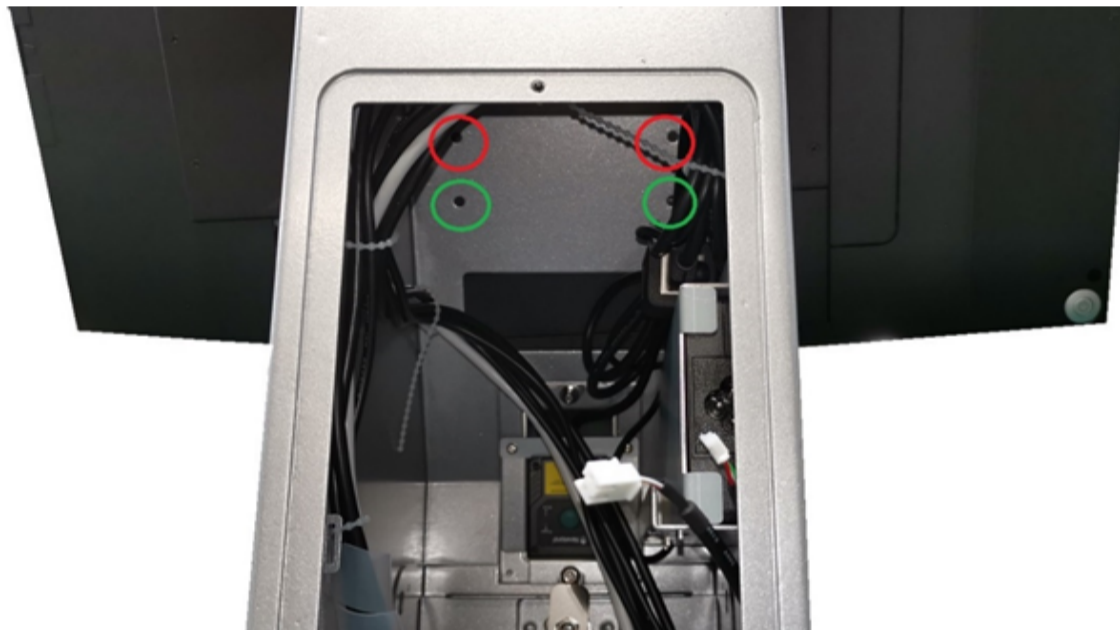


Step 20.
Install the hanging screw #4.



Step 21.
Connect all cables and install the cable cover.

Step 22.
After you mount the head unit onto Stand, use POS mounting screws #3 with KIOSK stand (Red circle is for 21.5" head unit / Green circle is for 15" head unit.)



Step 23.
Push cap out and pull cables through the hole.



Step 24.
Make sure all the cables have been connected properly.

Step 25.
Close back covers to complete the installation for PA-J600-GZZ-32A Floor Stand.