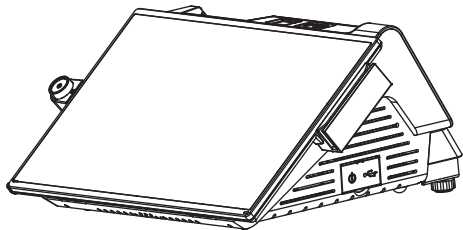


PA-A900

Quick Reference Guide



Ver. Q1

All Rights Reserved. Copyright 2019

Packing Checklist

If you discover any item below are damaged or lost, please contact your vendor immediately.

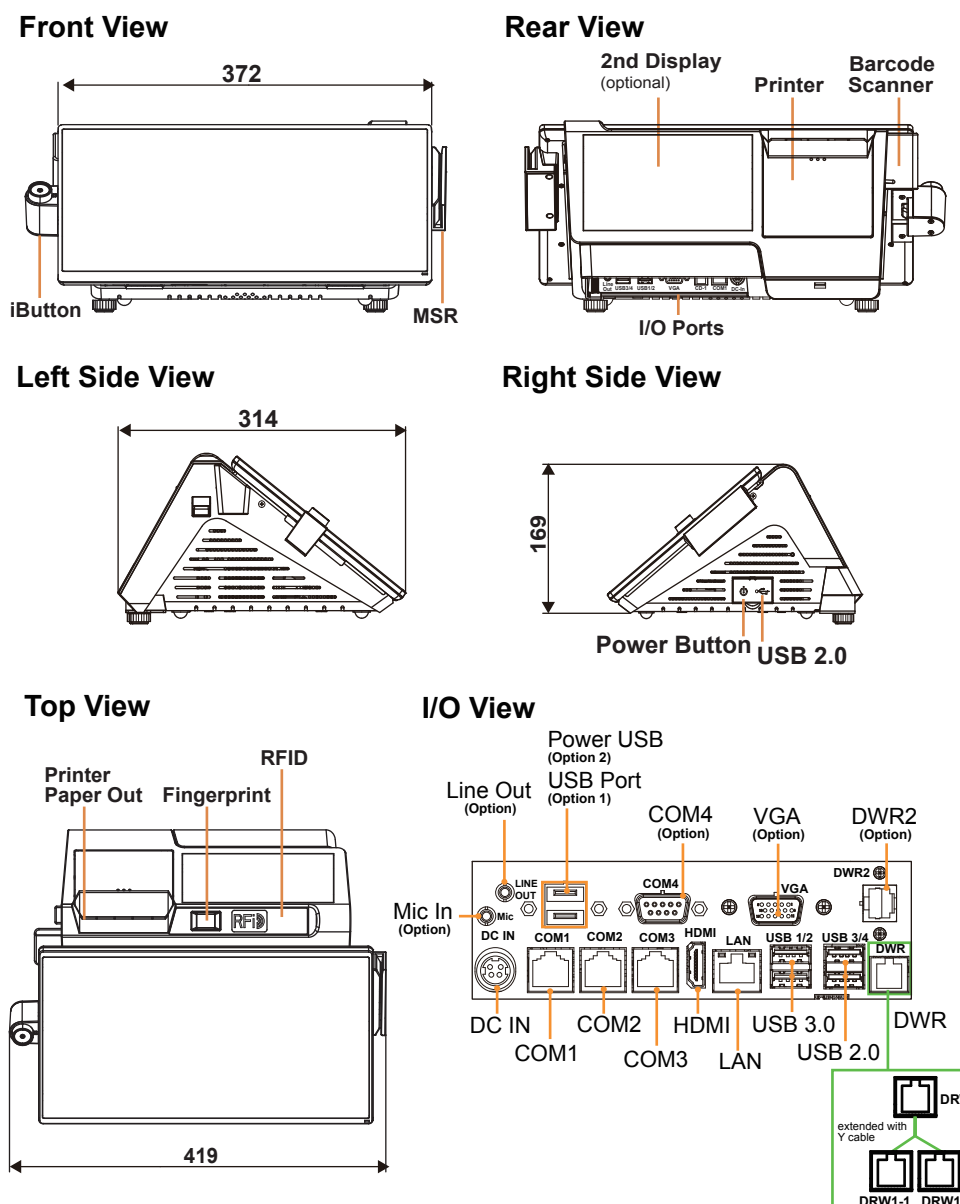
- PA-A900 x1
- This Quick Reference Guide x1
- AC Power Adaptor x1
- COM Port to RJ45 Cable (L=150mm) x1
- Manual/Driver CD x1

Specifications

System	CPU Support	Intel® Celeron® J3355 / 3455 CPU	
	Memory	1 x DDR3L SO-DIMM slot (up to 8GB)	
	Network	10/100/1000Mbps Base-T Fast Ethernet	
	Power Supply	60~90 Watt Power Adaptor	
	Audio	2W Speaker	
	System Weight	with power adaptor approx. 4kg	
	Dimensions (WxHxD)	372 x 169 x 315mm	
Storage	O.S. Support	Windows 10	
	SATA	1 x 2.5" HDD or SSD 1 x M.2 2242 (SATAIII interface)	
I/O Ports	USB	Rear: 2 x USB 3.0 + 2 x USB 2.0 (optional) 2 x USB 2.0 + 1 x power USB (+12V/+24V) Side: 1 x USB 2.0	
	Serial Ports	3 x RJ45 (support +5V/12V selectable) + 1 (optional) x DB9	
	LAN	1 x RJ45	
	VGA	1 x DB15	
	HDMI	1 x HDMI	
	Cash Drawer	1+1(option, with Y cable) x RJ11 (+12V or +24V selectable)	
	Audio	1 (optional) x Line Out phone jack 1 (optional) x Mic In phone jack	
	DC IN	1 x 4-pin DC Power Jack	
	Add-ons	Customer Display	VFD, 20 columns and 2 lines, each column is 5 x 7 dots
		Printer	2" or 3" easy loading thermal printer with auto-cutter
MSR & iButton		JIS I,II , ISO Track1+2+3 (PS/2 interface)	
Fingerprint		8-bit grayscale reader	
Display	LCD	15.6" TFT LCD	
	Resolution	1366 x 768	
	Brightness	220 cd/m ²	
	Touchscreen	15.6" P-CAP touch panel, USB interface	
Environment	Tilt Angle	40 degrees	
	EMC & Safety	CE / FCC	
	Operating Temp.	0°C ~ 35°C (32°F ~ 95°F)	
	Storage Temp.	-5°C ~ 60°C (23°F ~ 140°F)	
Humidity	20% ~ 90%		

System View

Unit: mm



PA-A900

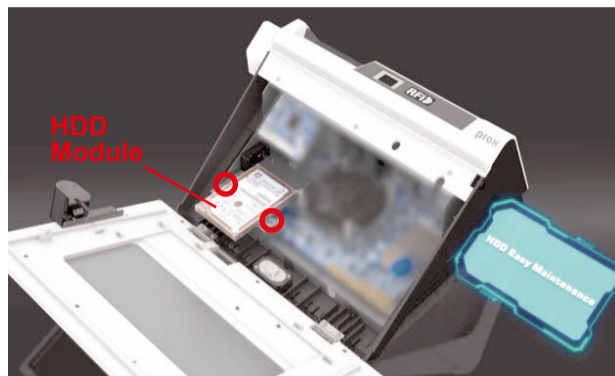
Highly Integrated and High Performance 15.6" POS Terminal

Easy Maintenance

Step 1: Unfasten the two screws on both sides of the LCD Display, and open and rotate the LCD Display cover downwards as shown:



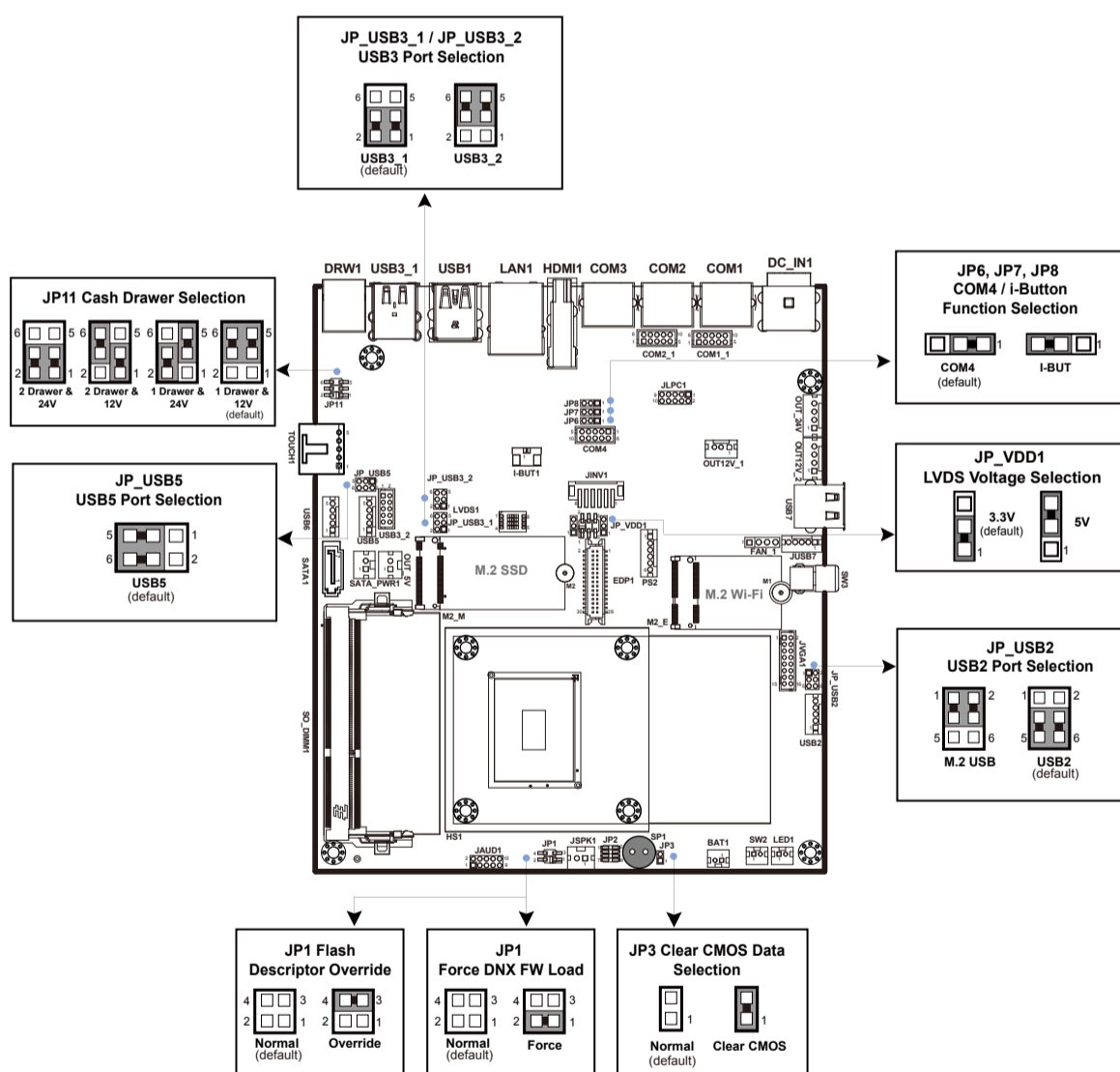
Step 2: Remove the 2 screws on the HDD tray as shown:



Step 3: Take out the HDD module to complete.



Jumper Setting



```

Serial Port 1 Configuration
Serial Port [Enabled]
Device Settings IO=2F8h; IRQ=3;
Change Settings [Auto]
COM Voltage [Ring]
    
```

COM1 / COM2 voltage adjustment:
The voltage of external COM1 & COM2 can be adjusted via BIOS for your convenience.

Safety Precaution

The following messages are safety reminders on how to protect your system from damages, and extend the life cycle of the system.

- 1. Check the Line Voltage**
 - Make sure the operating voltage range is between 100V and 240V AC; otherwise, the system could be damaged.
- 2. Environmental Conditions**
 - Place your PA-A900 on a sturdy, level surface. Be sure to allow enough space around the system to have easy access needs.
 - Avoid installing the system in extremely hot or cold places.
 - Avoid exposure to sunlight for a long period of time or in an airtight room.
 - Also, avoid the system from any heating device or using the PA-A900 when it has been left outdoors in a cold winter day.
 - Avoid moving the system rapidly from a hot place to a cold place, and vice versa, because condensation may occur inside the system.
 - Operate the PA-A900 in strong vibration may cause hard disk failure.
 - Do not place the system too close to any radio-active device. Radio-active device may cause signal interference.
 - Always shut down the operating system before you turn off the power.
- 3. Handling**
 - Avoid placing heavy objects on the top of the system.
 - Do not turn the system upside down. This may cause the hard drive to malfunction.
 - Do not allow any objects to fall into this product.
 - If water or other liquid spills into this product, unplug the power cord immediately.
- 4. Good Care**
 - When the outside case gets stained, remove the stains using neutral washing agent with a dry cloth.
 - Never use strong agents such as benzene and thinner to clean the surface of the case.
 - If heavy stains are present, moisten a cloth with diluted neutral washing agent or alcohol and then wipe thoroughly with a dry cloth.
 - If dust is accumulated on the case surface, remove it using a special vacuum cleaner for computers.
 - Do not replace the motherboard battery by yourself, or serious damage may occur.

CAUTION! Danger of explosion if battery is incorrectly replaced. Replace only with the same or equivalent type recommended by the manufacturer. Dispose of used batteries according to the manufacturer's instructions.

WARNING! Some internal parts of the system may have high electrical voltage. Therefore we strongly recommend qualified engineers open and disassemble the system. The LCD and touchscreen are easily breakable; please handle them with extra care.