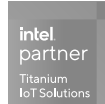


MH-T01T



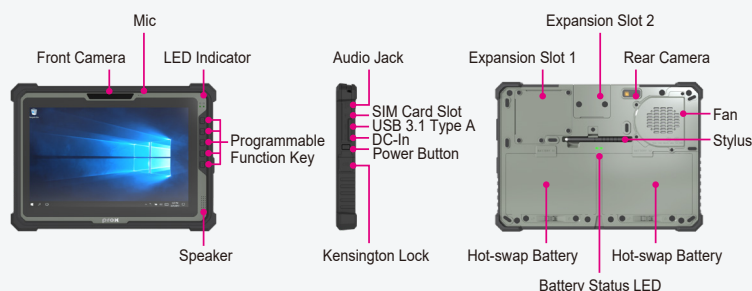
10.1" Windows Rugged Tablet with Intel® 11th Gen. Core™ i7 / i5 / i3 / Celeron® Processor



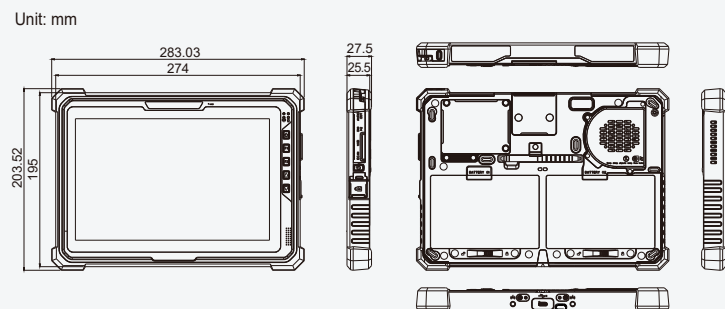
Features

- 10.1" WUXGA (1920 x 1200 Resolution) Display OCA direct bonding with Anti-Fingerprint / Corning Gorilla Glass P-Cap Multi-Touch
- High Performance Design with Intel® 11th Gen. Core™ i7 / i5 / i3 / Celeron® Processor and Windows 10 IoT (64 bits)
- Durable Design with IP65 Rating (per IEC 60529) and 1.5m Drop Test (per MIL-STD-810H)
- Dual-main Battery Design with Hot-swap and up to 8h operating
- Multi-peripherals and Accessories
- Wide-ranged temperature and Light weight 1.28 kg (Tablet only)
- Integrated with LIPS 3D Camera for Logistics dimension measurement application

Highlights



Dimensions



Application

- Automation
- Warehouse
- Retail
- Logistics
- Asset Tracking
- Manufacturing
- Transportation
- Power Patrol Inspection



Specifications

| | |
|--------------------------------------|--|
| Display Specification | |
| Size | 10.1" |
| Resolution | WUXGA (1920 x 1200 pixels, 16:10) |
| Brightness | 1,000 nits for Sunlight readable |
| Backlight Lifetime | 30,000 hours |
| Touch | P-CAP Multi-Touch with Anti-Fingerprint and Corning Gorilla Glass (Support Finger/ Stylus/ Glove/ Raindrop) |
| Bonding Technology | LCD Optical Clear Adhesive direct bonding with Touch |
| System Specification | |
| Processor | Intel® Core™ i7-1185GRE (4C) 1.80 GHz Intel® Core™ i5-1145GRE (4C) 1.50 GHz Intel® Core™ i3-1115GRE (2C) 2.20 GHz Intel® Celeron® 6305E (2C) 1.80 GHz |
| Operating System | Windows 10 IoT Enterprise LTSC 2019 OS (64 bits) |
| Memory | 1 x DDR4 3200 SO-DIMM socket (up to 16 GB) |
| Storage | 1 x M.2 NVMe SSD (up to 1TB) |
| Audio | 1 x 2 W Speaker and 1 x Mic |
| Sensor | G-Sensor, Ambient Light Sensor |
| Vibrator | Yes |
| TPM | TPM 2.0 |
| LED Indicators | 1 x tri-color LED (Green/ Yellow/ Red) for Power/ Battery status indication 1 x Green LED for WiFi/ LTE/ 5G connection indication |
| Buttons | 6 x Buttons (1 x Power Button, 1 x Home Key, 2 x Function Key, 1 x Volume+, 1 x Volume-, Function Keys are programmable) |
| Battery | 2 x 10.8 V/ 2330 mAh Li-Ion Battery for Hot-swap and up to 8 hours operating (per JEITA test v2.0) |
| AC Adapter | DC Jack 19V or USB Type-C Power Delivery 20V |
| Dimension (W x H x D) | 274 x 195 x 22 mm (without 4-corner rubber) |
| Weight | 1.28 kg (Tablet only) |
| I/O Ports | |
| USB | 1 x USB 3.0 Type A 1 x USB 3.0 Type-C for Charging with PD/Data Transmission/ Display 1 x USB 3.0 Type A (optional) |
| Audio Jack | 1 x Headset (Headphone out/ Mic-in combo) |
| Nano-SIM Slot | 1 x Dual-Nano-SIM 4G LTE/ 5G |
| Expansion Slots | Expansion Slot 2 for 2D barcode, COM port, USB 3.0 Type A, MicroSD card, LAN port (optional); Expansion Slot 1 for 3D Camera, Card Reader, Fingerprint, etc (optional) |
| Communications | |
| WLAN | Wi-Fi 802.11 a/b/g/n/ac (WiFi 5) or 802.11 a/b/g/n/ac/ax (WiFi 6) |
| Bluetooth | Bluetooth 5.0 |
| GNSS | GPS, GLONASS (Optional) |
| WWAN | 4G LTE or 5G for North America/ Europe/ Taiwan/ Japan (Optional) |
| Optional Peripherals and Accessories | |
| 1D/2D Barcode | Honeywell N4680 |
| Camera | 2 MP Front Camera (optional, Windows hello Camera) 8 MP Rear Camera 3D Camera for Logistics dimension measurement application (optional) |
| Hand Strap | Yes |
| Shoulder Strap | Yes |
| Stylus | Capacitive Stylus |
| TP Protector | 9H Glass Touch Panel Protector |
| Cradle | Yes (Optional) |
| Vehicle Cradle | Yes (Optional) |
| Fingerprint Reader | Yes (Optional) |
| Card Reader | Yes (Optional) |
| Reliability and Environment | |
| ESD | Contact +/-8 kV and Air +/- 15 kV |
| EMI | Class B |
| IP Rating | IP65 per IEC 60529 |
| Drop Test | 1.5 m per MIL-STD-810H |
| Tumble Test | 1000 tumbles, 0.5 m per IEC 60068-2-32 |
| Shock | Per MIL-STD-810H |
| Vibration | Per MIL-STD-810H |
| Operating Temp. | -20°C~60°C (AC mode) and -10°C~50°C (Battery mode) |
| Storage Temp. | -20°C~60°C (-4°F~140°F) |
| Humidity | 10%~90% non-condensing |
| Certification | |
| Certificate | CE, FCC, BSMI, PSE, Battery with UN 38.3 and IEC 62133 |

* All information contained in this document is subject to change without prior notice. Please log on www.protech.com.tw to acquire latest information. For detail mechanics drawing, please contact our sales.