

MH-5752

Quick Reference Guide

Ver. Q2

All Rights Reserved. Copyright 2020

Packing Checklist

If you discover any item below are damaged or lost, please contact your vendor immediately.

- | | |
|--|----|
| <input checked="" type="checkbox"/> MH-5752 (with battery) | x1 |
| <input checked="" type="checkbox"/> This Quick Reference Guide | x1 |
| <input checked="" type="checkbox"/> AC Power Adaptor | x1 |
| <input checked="" type="checkbox"/> USB Type-C Cable | x1 |
| <input checked="" type="checkbox"/> Hand Strap (Optional) | x1 |
| <input checked="" type="checkbox"/> Neck Strap (Optional) | x1 |
| <input checked="" type="checkbox"/> AC Plug (Optional) | x1 |

Specifications

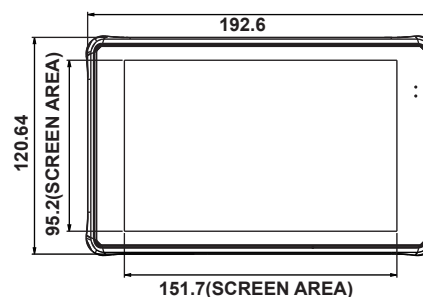
System	
CPU Type	Intel® Atom® x5-Z8550 Quad Core™ 1.44GHz up to 2.4GHz
Memory Support	1 x DDR3L 2GB / 4GB
O.S.	Windows 10 IoT Enterprise LTSB 2016 OS (64 bits)
Speaker	1 x 1W Speaker
Battery Pack	3.7V, 7400mAh replaceable battery
Battery Operation	8 hours (refer to JEITA battery run time measurement)
G-Sensor	Yes
Flash	eMMC 32GB / 64GB
WLAN	Wi-Fi 802.11 b/g/n, Bluetooth® 4.0
Drop	Up to 3 foot (90cm) onto concrete
Brightness	400 cd/m2 (typical)
Power Supply	DC 5V
Dimensions (W x H x D)	120.6 x 192.6 x (21 - 25.3)mm
System Weight	499g (Pad only)
Certifications	FCC / CE
Display	
LCD Panel	7" IPS display with 800 x 1280 resolution
Touch Panel	Multi-touch projected capacitive
	Anti-Fingerprint
	OCA Bonding of touch + panel for Sunlight Readability and antiglare
Integrated Devices (Optional)	
Barcode Scanner	1D / 2D barcode scanner
NFC Module	NXP N-P300
Rear Camera	8M pixels camera module
MSR_Smart Card Reader	Meets ISO 7816 & EMV Level 1 & 2 certification
WWAN	Supports 4G for data transmission
Tablet I/O Ports	
Cradle Connector	1 x POGO pins for charging and data transmission
USB	USB-C for charging and data transmission
SD	Micro SD up to 128GB
SIM Card Slot	4G SIM card
Environment	
Operating Temp.	0°C ~ 40°C (32°F ~ 104°F) / 0 ~ 35°C (32 ~ 95°F) when charging battery
Storage Temp.	-20°C ~ 60°C (-4°F ~ 140°F)
Operating Humidity	10% ~ 90%

System View

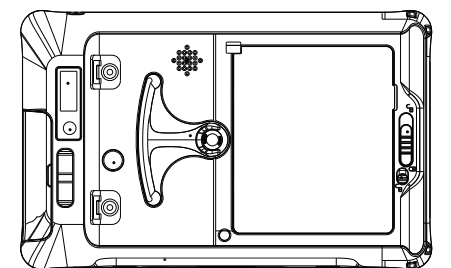
Unit: mm

Standard

Front View

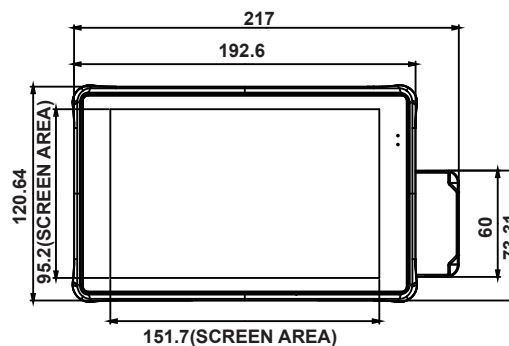


Rear View

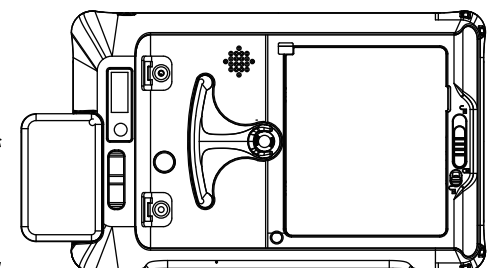


with MSR

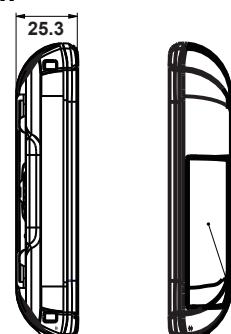
Front View



Rear View



Side View



Bottom View



Top View

