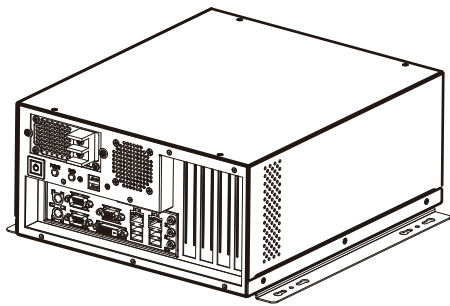


BS-W025

Quick Reference Guide



Ver. Q3

All Rights Reserved. Copyright 2020

Packing Checklist

If you discover any item below damaged or lost, please contact your vendor.

- | | |
|--|----|
| <input checked="" type="checkbox"/> BS-W025 | x1 |
| <input checked="" type="checkbox"/> This Quick Reference Guide | x1 |
| <input checked="" type="checkbox"/> Driver/ Manual DVD | x1 |
| <input checked="" type="checkbox"/> Mini Jumper (2.0 mm) | x6 |

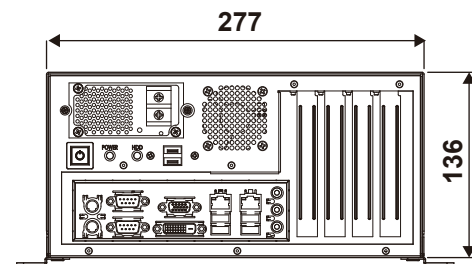
Specifications

System	
CPU Support	6 th /7 th Gen. Intel® Core™ i7/i5/i3 & Pentium/Celeron® processor
Chipset	Intel® Q170 / H110 / C236
Memory Support	Up to 4 x DDR4 2133MHz UDIMM(H110 SKU only 2 UDIMM)
Drive Bay for Storage	Supports 2 x 2.5" HDD/SSD
Watchdog	1~255 seconds watchdog timer selectable
Power Supply	Supports DC 24V input
System Fan	2 x system fans
Dimensions	277mm(W) x136mm(H) x 315.5mm(D)
Certificate	FCC/CE
OS Support	Windows 10(64) / Windows 8.1(64) / Windows 7 Pro(32/64)
I/O Ports (Internal)	
SATA	6 x SATA3.0 (supports RAID 0/1 in Q170/C236 SKU)
Serial Ports	4 x COM (internal): COM3-6 for RS-232
USB	1 x USB2.0 port
Digital I/O	8in/8out(onboard wafer)
LPC	1 x LPC pin header (for optional TPM module)
Mini PCIe	1 x mini-PCIe slot
I/O Ports (Front side)	
Power Switch	1 x Power Switch
Display	1 x VGA up to 1920x1200 @60Hz 1 x DVI-D up to 1920x1200@60Hz
Serial Ports	COM1 for RS-232 COM2 for RS-232/422/485 (selectable under BIOS)
USB	4 x USB 3.0 / 2 x USB 2.0
Keyboard/Mouse	2 x PS/2 with mini DIN connectors
LAN	2 x GbE LAN, Wake-On-LAN, PXE LAN 1: Intel® PHY-I219 LM (10/100/1000 Mbps) LAN 2: Intel® LAN I210 AT (10/100/1000 Mbps)
Audio	1 x Line In / 1 x Line Out / 1 x Mic In
Expansion Slot	Q170/C236 SKU: 1 x PCIe (x16), 2 x PCIe (x4), 1 x PCIe (x1) H110 SKU: 1 x PCIe (x16), 1 x PCIe (x4), 1 x PCIe (x1)
Power Input	DC 24V Power Input Connector
Environment	
Operating Temp.	0°C ~ 40°C (32°F ~ 104°F) ; Humidity: 20% ~ 90%
Storage Temp.	-20°C ~ 80°C (-4°F ~ 176°F); Humidity: 20% ~ 90%

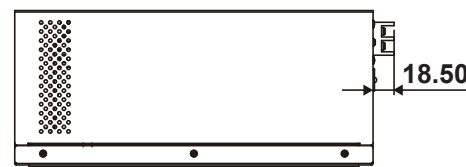
System View

Front View

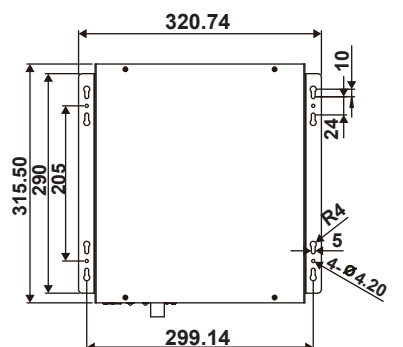
Unit: mm



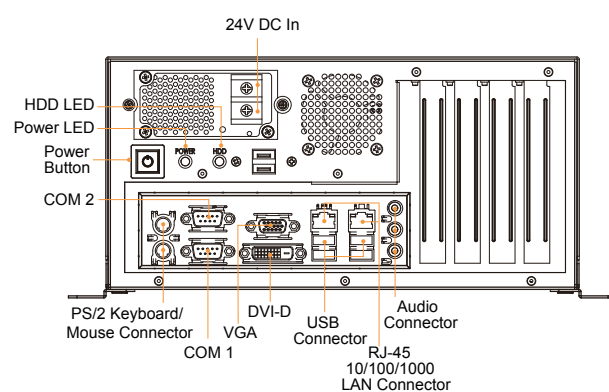
Side View



Top View



I/O View

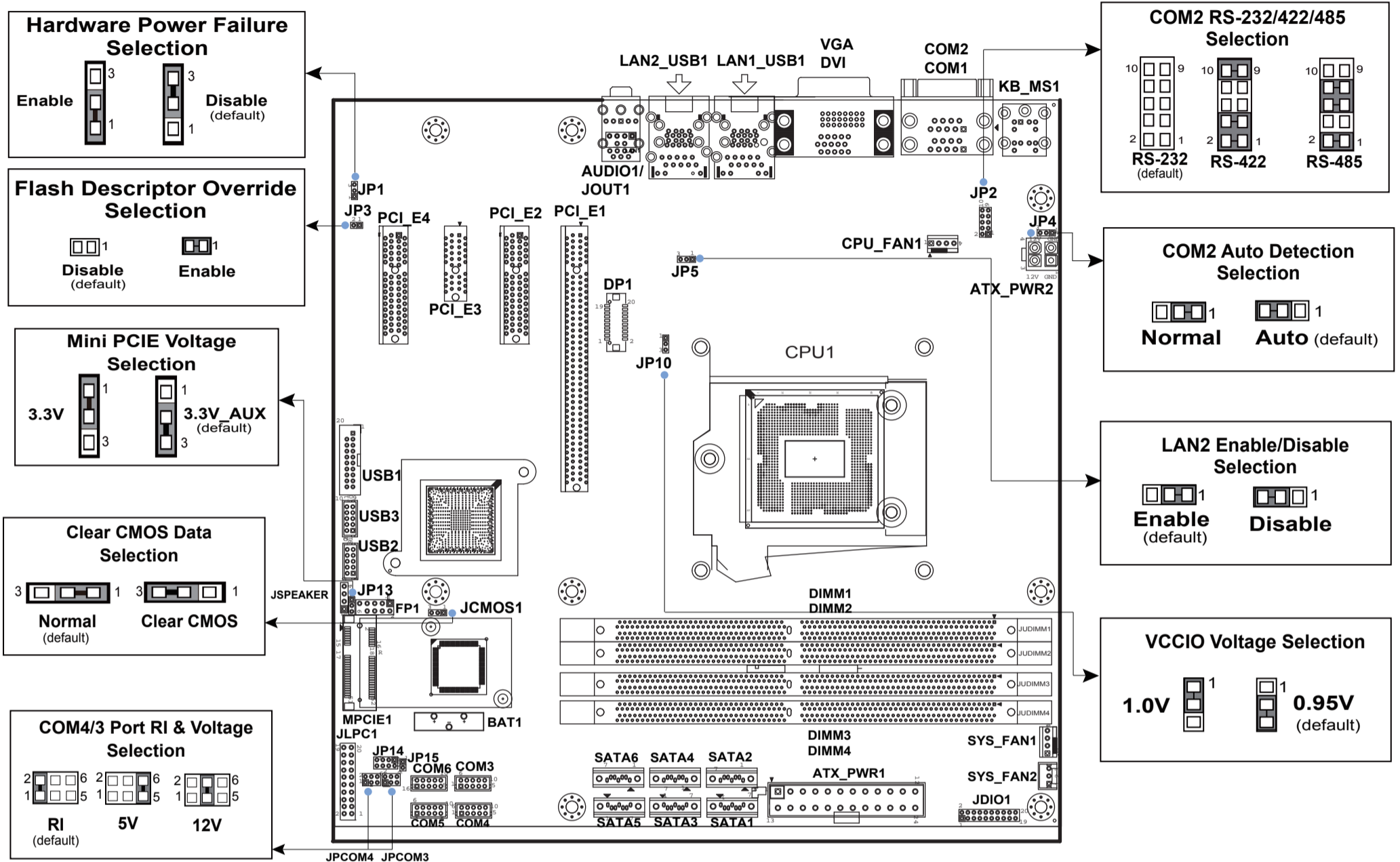


BS-W025

Intel 6th/7th Gen. Core™/Pentium/Celeron® Industrial Wallmount System with DC Power Input

Jumper Setting

CAUTION! Danger of explosion may occur if the battery is replaced incorrectly. Replace batteries only with the same or equivalent type recommended by the manufacturer. Dispose the used batteries according to the manufacturer's instructions.



*Note that C236 SKU has SATA1~6, JDIMM1~4, PCI_E1~4 available. Q170 SKU has SATA1~6, JDIMM1~4, PCI_E1~4 available. H110 SKU only has SATA1~4, JDIMM2/4, PCI_E1~3 available. USB1 is not available for H110 SKU.

Safety Precaution

The following messages are safety reminders on how to protect your system from damages, and thus help you extend the life cycle of the system.

- Check the Line Voltage
 - The operating voltage for the power supply should be DC 24V; otherwise, the system may be damaged.
- Environmental Conditions
 - Place your BS-W025 on a sturdy, level surface. Be sure to allow enough room on each side to have easy access.
 - Avoid moving the system rapidly from a hot place to a cold place or vice versa because condensation may come from inside of the system.
 - Place BS-W025 against strong vibrations, which may cause hard disk failure.
- Handling
 - Do not turn the system upside down. This may cause the hard drive to mal-function.

- Do not allow foreign objects to fall into this product.
- If water or other liquid spills into this product, unplug the power cord immediately.
- Good Care
 - When the outside of the case is stained, remove the stain with neutral washing agent with a dry cloth.
 - If dust has been accumulated on the outside, remove it by using a special made vacuum cleaner for computer.

CAUTION!

Danger of explosion if battery is incorrectly replaced. Replace only with the same or equivalent type recommended by the manufacturer. Dispose of used batteries according to the manufacturer's instructions.

WARNING!

Some internal parts of the system may have high electrical voltage. Therefore we strongly recommend qualified engineers open and disassemble the system.